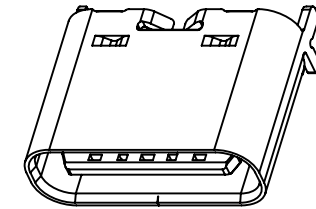
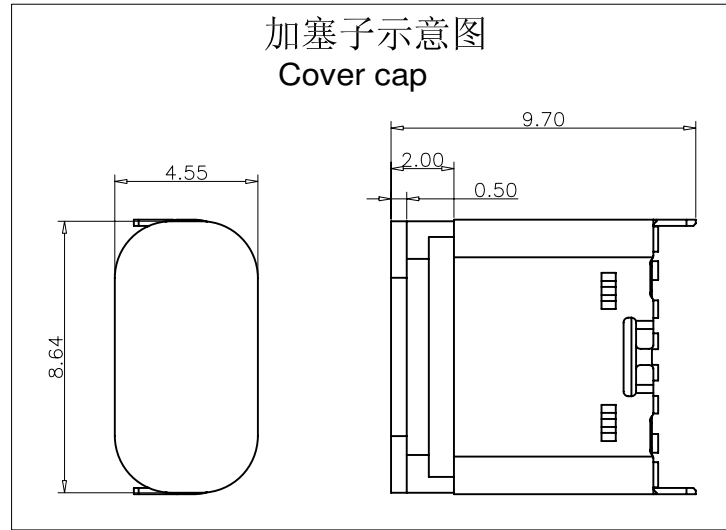
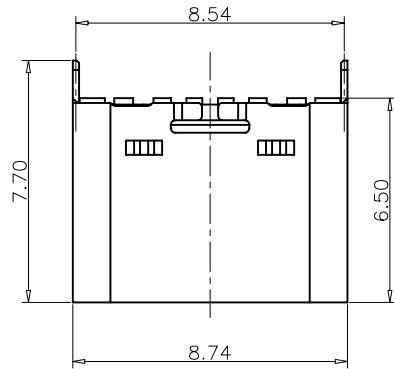


RoHS Compliant

Goldconn®

加塞子示意图
Cover cap

REV	ECN No.	DATE	REMARK
A	NEW	2019.05.30	NEW RELEASE
B	ECN2004002	2020.04.10	增加铁壳凸台改善产品歪斜不良
C	ECN2012001	2020.12.01	增加真空包装料号



NOTES:
SPECIFICATION:

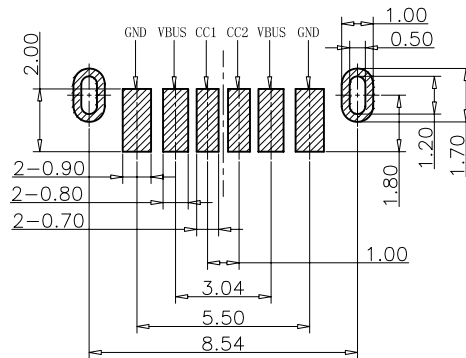
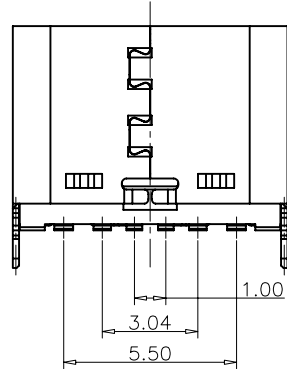
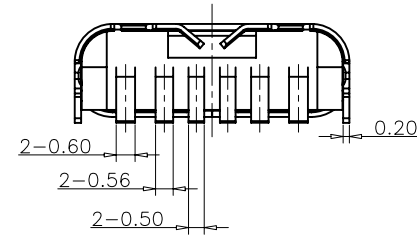
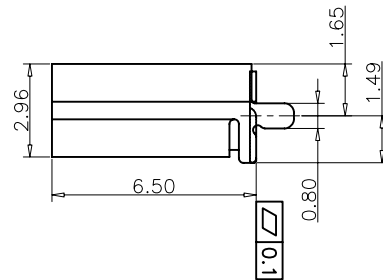
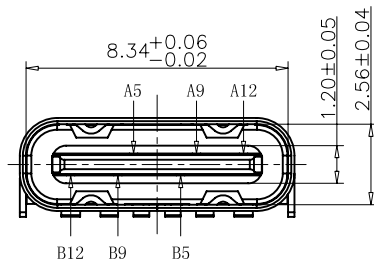
- CURRENT RATING: 3.0A MAX
- DIELECTRIC WITHSTANDING VOLTAGE: 100 VAC
- TEMPERATURE RANGE: -30 °C ~ 85 °C
- CONTACT RESISTANCE: 40 MILLIONHM MAX
- INSULATION RESISTANCE: 100 MEGOHMS MIN.
- INSERTION FORCE : 5N~20N
- UNMATING FORCE: 8N~20N
- DURABILITY: 10000 CYCLES
- PART NUMBER CODE:

CF165-06S L B XX X R - 02
(1)(2)(3)

- (1) HOUSING COLER:
B:BLACK
- (2) CONTACTS PLATED:
01:半金锡1u"
11:全金1u"
- (3) 包装要求
无:普通包装
V:真空包装(客人指定专用包装)

TABLE:

NO.	DESCRIPTION	MATERIAL	REMARKS	QTY
5	COVER	HIGH TEMPERATURE PLASTIC	BLACK	1PCS
4	SHIELDING PLATE	STAINLESS STEEL	NO Plated	1PCS
3	SHELL	STAINLESS STEEL	Ni:50u" Plated	1PCS
2	CONTACT	COPPER ALLOY	Au1u"/Ni:50u" Plated	1SET
1	HOUSING	HIGH TEMPERATURE PLASTIC	BLACK	1PCS



RECOMMEND P.C.B LAYOUT
TOLERANCE UNSPECIFIED ±0.05mm

PART NO.:
SEE THE PART NUMBER CODE

Goldconn Technologies Co., Ltd

DRAWN BY: SAM
DATE: 2020.12.01

CHECKED BY: JAY
DATE: 2020.12.01

APPROVED BY: JACKY
DATE: 2020.12.01

QUALITY SYMBOL	GENERAL TOLERANCES (UNLESS SPECIFIED)
0	x.xxxxx ± ---
0	x.xxx ± 0.10
0	x.xx ± 0.25
0	x.x ± 0.30
0	ANGULAR ± ---

TITLE: USB C F 单排6PIN直立式SMT H=6.5

DWG.NO.: CF165-06-02

DIMENSION STYLE: MM ONLY
DESIGN UNITS: METRIC
SCALE: 1:1

THIRD ANGLE PROJECTION

PIN	SIGNAL NAME	PIN	SIGNAL NAME
A5	CC1	B12	GND
A9	VBUS	B9	VBUS
A12	GND	B5	CC2