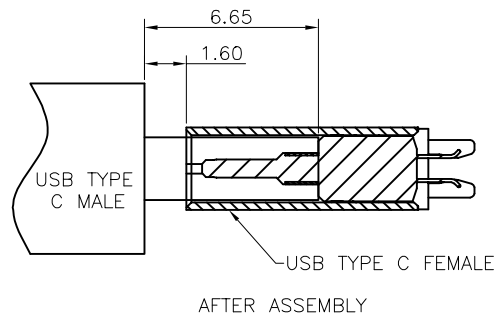
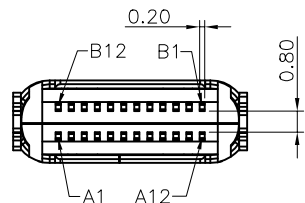


RoHS Compliant

REV	ECN No.	DATE	REMARK
A	NEW	2016.04.14	新版发行
B	ECN1612001	2016.12.23	变更新料号
C	ECN1709005	2017.09.06	新增电镀15u规格
D	ECN1803005	2018.03.08	新增外壳镀金规格
E	ECN1805012	2018.05.29	镀金1u => 3u
F	ECN1908008	2019.08.05	变更新图号
G	ECN2011005	2020.11.09	升级第三代产品



NOTE:

- Electrical Characteristics:
 - 1-1: Current Rating: 5A For Pin(A4,A9,B4,B9)
1.25A For Pin(B5)
0.25A For Others Pin
 - 1-2: VOLTAGE RATING:5.0V
 - 1-3: Insulation Resistance: 100MΩ Min.
 - 1-4: Contact Resistance:
VBUS & GND PINS AND OTHER PINS: 40mΩ/PIN MAX.
SHIELD:50mΩ/MAX.
SHIELD:LLCR MAX. CHANGE OF ALL PINS: 10mΩ.
 - 1-5: Dielectric Withstanding Voltage: 100V/AC 1Minute
- Mechanical Characteristics:
 - Insertion Force: 5~20N
 - Extraction Force: Initial: 8~20N
 - After durability: 6~20N
 - Durability :10000 Cycles
- Operating Temperature: -25°C TO +85°C

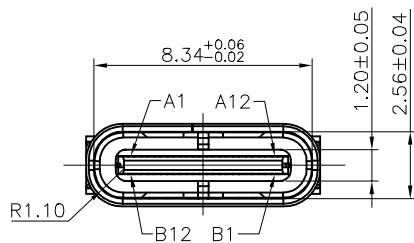
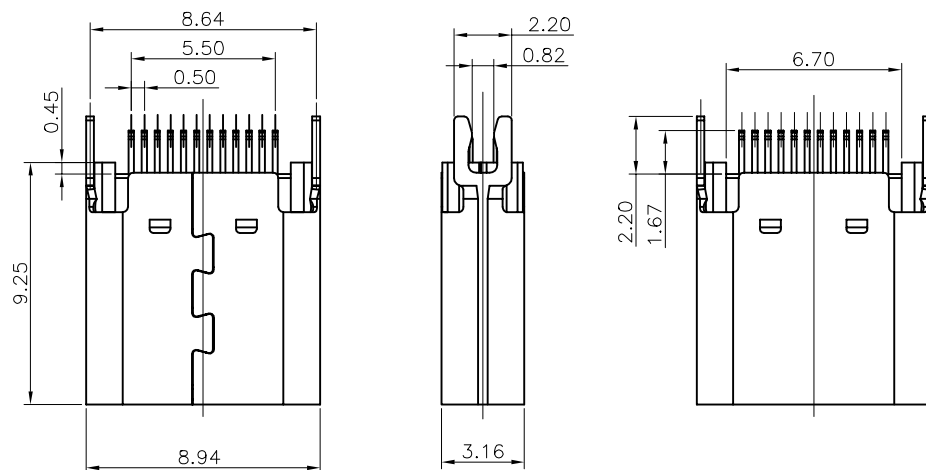
4.PART NUMBER CODE:(产品料号)
Z-CF009 S L B XX T - A - 01
(1) (2) (3) (4)

- SHELL PLATED:
S:Ni
J:BLACK Ni
- HOUSING MATERIAL:
L:PA9T
- HOUSING COLOR:
B:BLACK
- CONTACTS PLATED:
02:半金镀3u"
05:半金镀30u"
- PACKING OPTIONS
T:TUBE



TYPE:

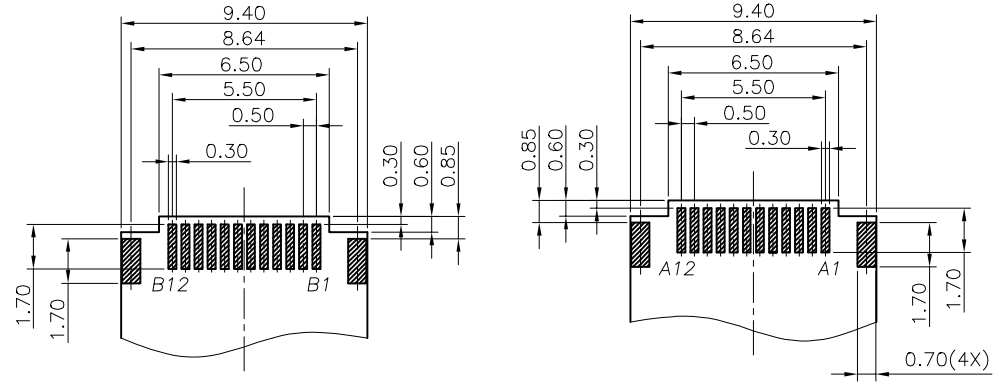
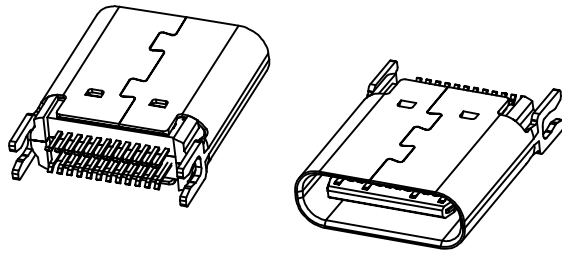
NO.	DESCRIPTION	MATERIAL	REMARKS
5	SHELL	SUS304 T=0.30mm	NICKEL 30u" MIN PLATING
4	SHIELDING PLATE	SUS301 T=0.15mm	---
3	EMI PLATE	SUS304 T=0.10mm	---
2	CONTACT	COPPER ALLOY T=0.12mm	IF 80u" MIN. UNDER PLATED OVER ALL Au 3u" PLATED ON THE FUNCTIONAL AREA OF CONTACT. PLATING 1u" OF THE SOLDER AREA
1	HOUSING	PA9T UL94V-0	BLACK



PART NO.: SEE THE PART NUMBER CODE		GOLDCONN TECHNOLOGIES COMPANY LIMITED		DRAWN BY SAM	DATE 2020.11.09	
QUALITY SYMBOL 0 0 0 0 0	GENERAL TOLERANCES (UNLESS SPECIFIED)		TITLE USB C F TYPE母座夹板0.8短体9.3			
	x.xxxx	± ---	DWG.NO. CF009-01	SHEET NO. 1 OF 3	CHECKED BY JAY	DATE 2020.11.09
	x.xxx	± 0.10			APPROVED BY JACKY	DATE 2020.11.09
	x.xx	± 0.25			THIRD ANGLE PROJECTION	
	x.x	± 0.30			SCALE 1:1	
ANGULAR	± ---	DIMENSION STYLE MM ONLY			DESIGN UNITS METRIC	

RoHS Compliant 

REV	ECN No.	DATE	REMARK
A	NEW	2016.04.14	新版发行
B	ECN1612001	2016.12.23	变更新料号
C	ECN1709005	2017.09.06	新增电镀15u规格
D	ECN1803005	2018.03.08	新增外壳镀金规格
E	ECN1805012	2018.05.29	镀金1u => 3u
F	ECN1908008	2019.08.05	变更新图号
G	ECN2011005	2020.11.09	升级第三代产品



USB TYPE-C PIN ASSIGNMENTS

PIN NUMBER	SIGNAL NAME	PIN NUMBER	SIGNAL NAME
A1	GND	B12	GND
A2	SSTXp1	B11	SSRXp1
A3	SSTXn1	B10	SSRXn1
A4	Vbus	B9	Vbus
A5	CC1	B8	SBU2
A6	Dp1	B7	Dn2
A7	Dn1	B6	Dp2
A8	SBU1	B5	CC2
A9	Vbus	B4	Vbus
A10	SSRXn2	B3	SSTXn2
A11	SSRXp2	B2	SSTXp2
A12	GND	B1	GND

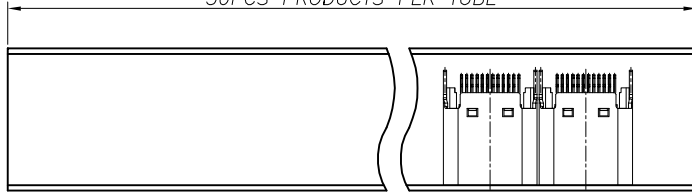
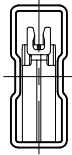
RECOMMENDED PCB LAYOUT(TOP VIEW)
THICKNESS 0.8.0±0.05MM;DEFAULT TOLERANCE:±0.05

PART NO.: SEE THE PART NUMBER CODE		GOLDCONN TECHNOLOGIES COMPANY LIMITED		DRAWN BY SAM	DATE 2020.11.09
QUALITY SYMBOL 0 0 0 0 0	GENERAL TOLERANCES (UNLESS SPECIFIED)		TITLE USB C F TYPE母座夹板0.8短体9.3		
	x.xxxx	± ---	DWG.NO.	CF009-01	SHEET NO. 2 OF 3
	x.xxx	± 0.10	APPROVED BY JACKY		
	x.xx	± 0.25	DATE 2020.11.09		
	x.x	± 0.30	THIRD ANGLE PROJECTION		
ANGULAR	± ---	DIMENSION STYLE MM ONLY	DESIGN UNITS METRIC	SCALE 1:1	frame size: A4

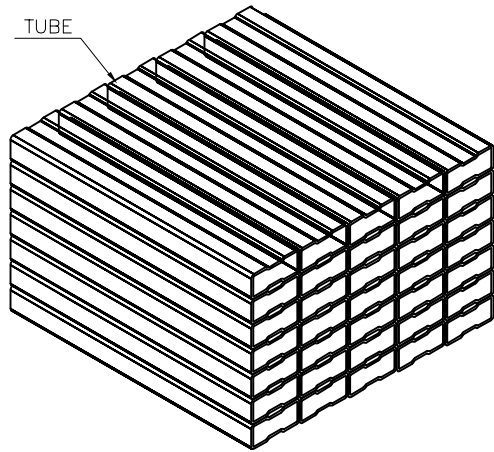
RoHS Compliant 

REV	ECN No.	DATE	REMARK
A	NEW	2016.04.14	新版发行
B	ECN1612001	2016.12.23	变更新料号
C	ECN1709005	2017.09.06	新增电镀15u规格
D	ECN1803005	2018.03.08	新增外壳镀金规格
E	ECN1805012	2018.05.29	镀金1u => 3u
F	ECN1908008	2019.08.05	变更新图号
G	ECN2011005	2020.11.09	升级第三代产品

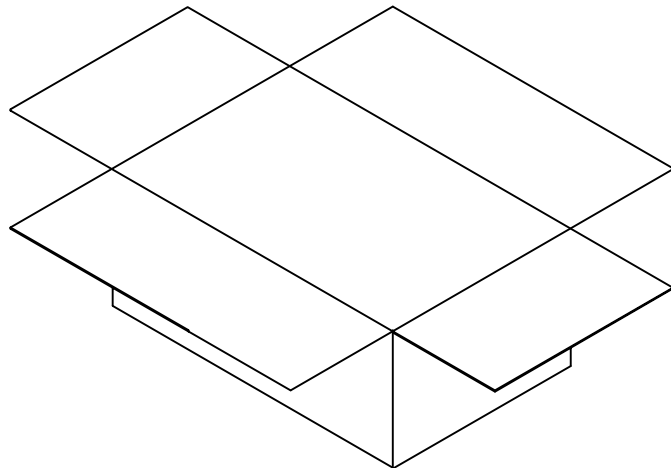
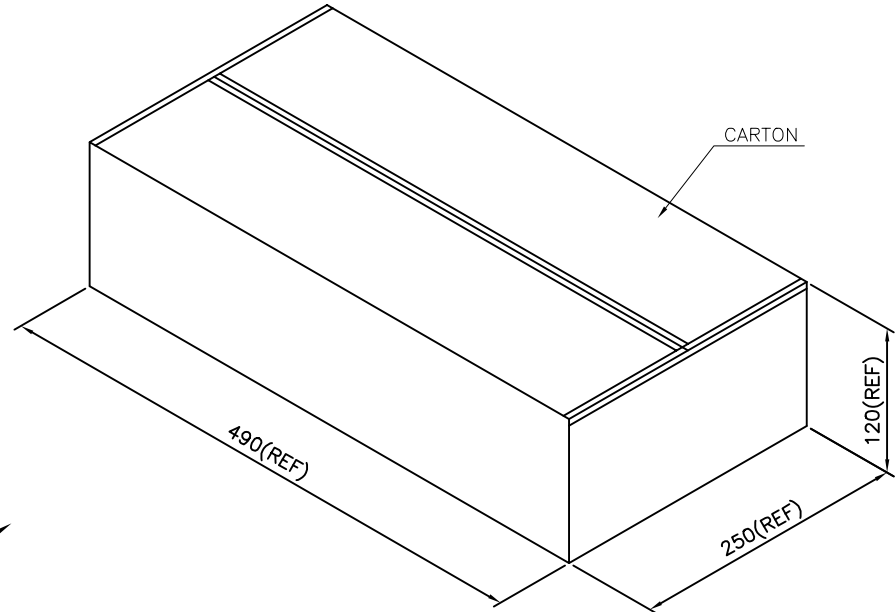
50PCS PRODUCTS PER TUBE



TUBE



CARTON



	TUBE	CARTON
CONNECTOR (PCS)	50	18000

PART NO.:
SEE THE PART NUMBER CODE

GOLDCONN TECHNOLOGIES COMPANY LIMITED

DRAWN BY: SAM
DATE: 2020.11.09

QUALITY SYMBOL	GENERAL TOLERANCES (UNLESS SPECIFIED)	
	x.xxxx	± ---
	x.xxx	± 0.10
	x.xx	± 0.25
	x.x	± 0.30
ANGULAR	± ---°	

TITLE: USB C F TYPE母座夹板0.8短体9.3

CHECKED BY: JAY
DATE: 2020.11.09

DWG.NO.: CF009-01

SHEET NO.: 3 OF 3

APPROVED BY: JACKY
DATE: 2020.11.09

DIMENSION STYLE: MM ONLY
DESIGN UNITS: METRIC

SCALE: 1:1

 THIRD ANGLE PROJECTION

frame size: A4