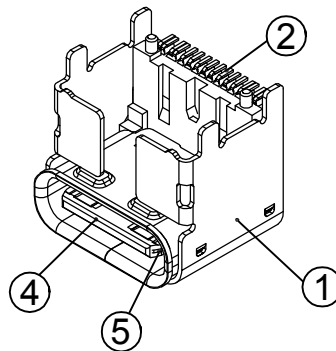
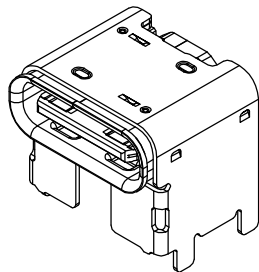
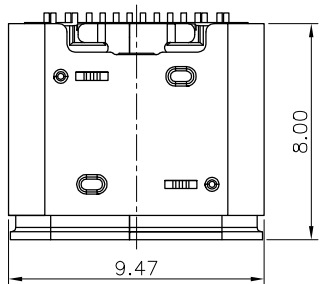


RoHS Compliant

REV	ECN No.	DATE	REMARK
A	NEW	2015.05.10	NEW RELEASE
B	NEW	2019.10.21	修改外壳
C	ECN2103002	2021.03.24	修正图纸料号规格描述



NOTE:

- Electrical Characteristics:
  - 1-1: Current Rating: 5A For Pin(A4,A9,B4,B9)  
1.25A For Pin(B5)  
0.25A For Others Pin
  - 1-2: VOLTAGE RATING:5.0V
  - 1-3: Insulation Resistance: 100MΩ Min.
  - 1-4: Contact Resistance:  
VBUS & GND PINS AND OTHER PINS: 40mΩ/PIN MAX.  
SHIELD:50mΩ/MAX.  
SHIELD:LLCR MAX. CHANGE OF ALL PINS: 10mΩ.
  - 1-5: Dielectric Withstanding Voltage: 100V/AC 1Minute
- Mechanical Characteristics:
  - Insertion Force: 5~20N
  - Extraction Force: Initial: 8~20N  
After durability: 6~20N
  - Durability :10000 Cycles
- Operating Temperature: -25°C TO +85°C

4. PART NUMBER CODE:(产品料号)

CF042-16 L B XX R - C - 02  
(1) (2) (3) (4)

(1) HOUSING MATERIAL:

L:LCP

(2) HOUSING COLOR:

B:BLACK

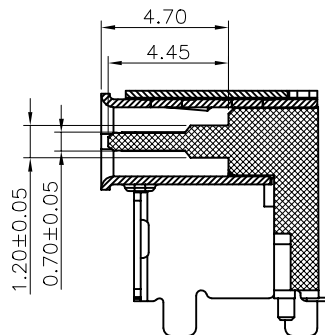
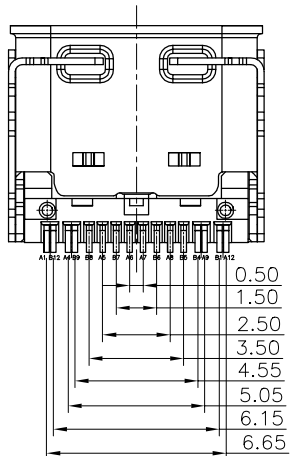
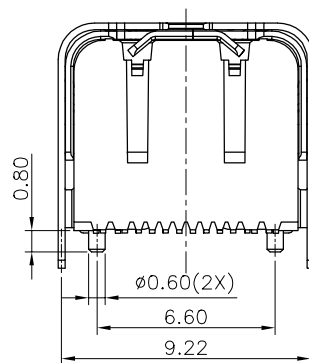
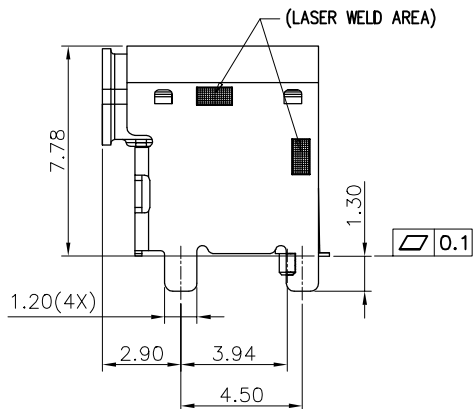
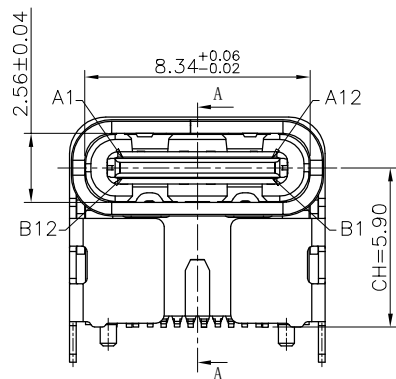
(3) CONTACTS PLATED:

12:接触区镀金30u"焊接区G/F

15:接触区镀金30u"焊接区G/F

(4) PACKING OPTIONS

R:TAPE & REEL



SECTION A-A  
SCALE 1:1

TABLE:

NO	PART	Q'TY	Material
1	SHELL	1	STAINLESS STEEL,Ni PLATED 30u"Min
2	CONTACT	16	COPPER STEEL,Ni 50u"Min;Au u"
3	MID PLATE	1	STAINLESS STEEL,NO PLATING
4	MD HOUSING	1	HIGH TEMPERATURE RESISTANT PLASTIC BLACK UL94 V-0

PART NO.:  
SEE THE PART NUMBER CODE

GOLDCONN TECHNOLOGIES COMPANY LIMITED

DRAWN BY DATE  
SAM 2021.03.24

QUALITY SYMBOL	GENERAL TOLERANCES (UNLESS SPECIFIED)
0	x.xxxx ± ---
0	x.xxx ± 0.10
0	x.xx ± 0.20
0	x.x ± 0.30
0	ANGULAR ± ---

TITLE  
TYPE C 16P母座 单排SMT 高4.3 CH5.9

CHECKED BY DATE  
JAY 2021.03.24

DWG.NO. CF042-16-02

SHEET NO. 1 OF 2

APPROVED BY DATE  
JACKY 2021.03.24

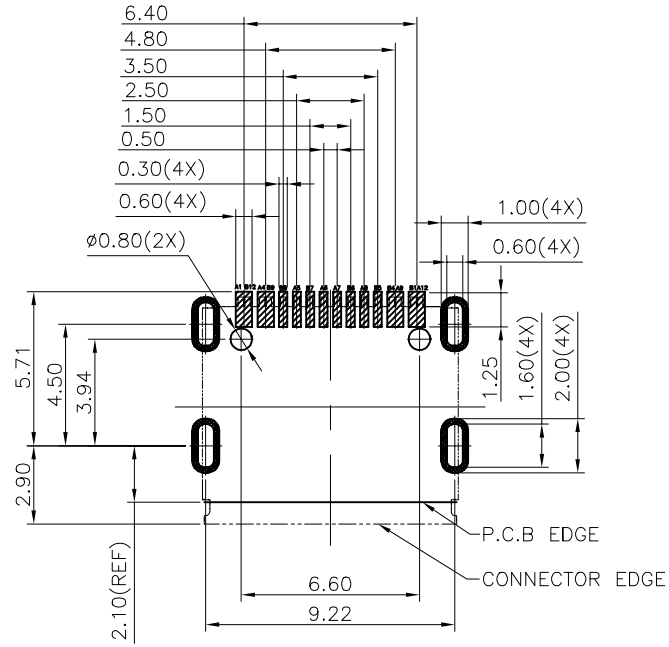
DIMENSION STYLE MM ONLY  
DESIGN UNITS METRIC

SCALE 1:1

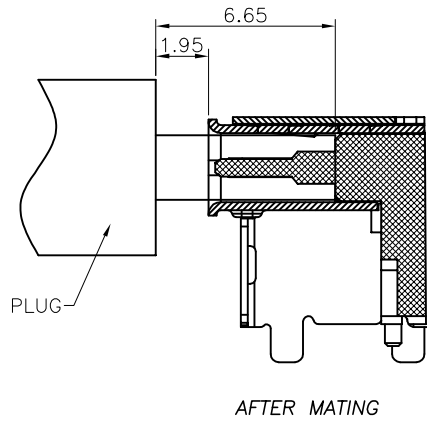
THIRD ANGLE PROJECTION

RoHS Compliant

REV	ECN No.	DATE	REMARK
A	NEW	2015.05.10	NEW RELEASE
B	NEW	2019.10.21	修改外壳
C	ECN2103002	2021.03.24	修正图纸料号规格描述



RECOMMENDED PCB LAYOUT(TOP VIEW)



USB TYPE C PIN ASSIGNMENTS

PIN NUMBER	SIGNAL NAME	PIN NUMBER	SIGNAL NAME
A1	GND	B12	GND
A4	VBUS	B9	VBUS
A5	CC1	B8	SUB2
A6	Dp1	B7	Dn2
A7	Dn1	B6	Dp2
A8	SBU1	B5	CC2
A9	VBUS	B4	VBUS
A12	GND	B1	GND

PART NO.: SEE THE PART NUMBER CODE		GOLDCONN TECHNOLOGIES COMPANY LIMITED		DRAWN BY SAM	DATE 2021.03.24
QUALITY SYMBOL 0 0 0 0 0	GENERAL TOLERANCES (UNLESS SPECIFIED)		TITLE TYPE C 16P母座 单排SMT 高4.3 CH5.9		
	x.xxxx	± ---	DWG.NO. CF042-16-02	SHEET NO. 1 OF 1	CHECKED BY JAY
	x.xxx	± 0.10			DATE 2021.03.24
	x.xx	± 0.20	APPROVED BY JACKY	DATE 2021.03.24	
	x.x	± 0.30	DIMENSION STYLE MM ONLY		SCALE 1:1
ANGULAR	± ---°	DESIGN UNITS METRIC		THIRD ANGLE PROJECTION	