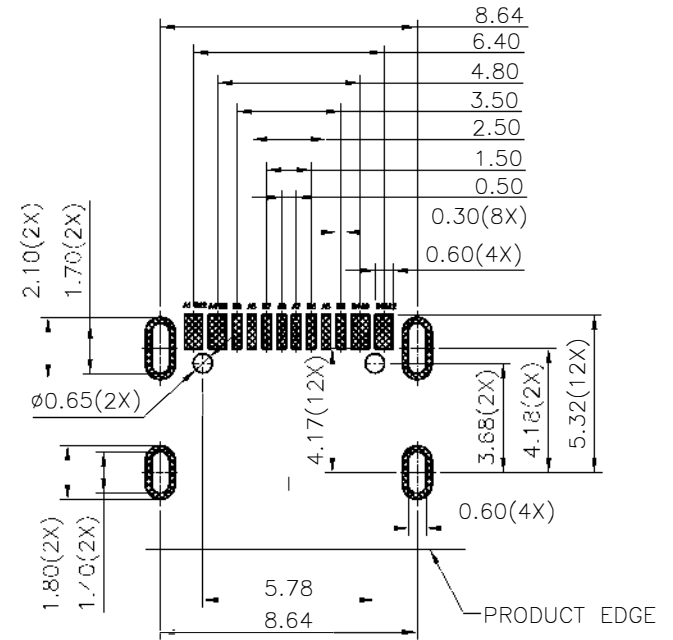
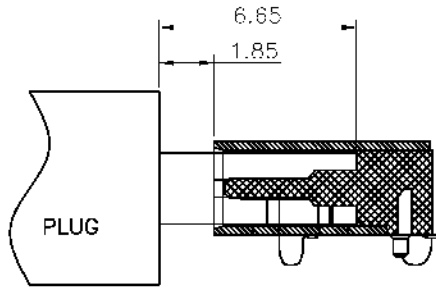


REV	ECN No.	DATE	REMARK
A	NEW	2019.10.21	NEW RELEASE



USB TYPE-C PIN ASSIGNMENTS

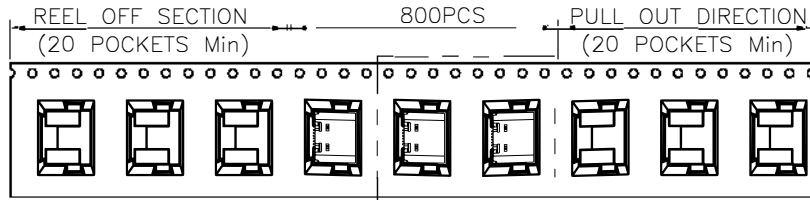
PIN NUMBER	SIGNAL NAME	PIN NUMBER	SIGNAL NAME
A1	GND	B12	GND
A4	VBUS	B9	VBUS
A5	CC1	B8	SBU2
A6	Dp1	B7	Dn2
A7	Dn1	B6	Dp2
A8	SBU1	B5	CC2
A9	VBUS	B4	VBUS
A12	GND	B1	GND

RECOMMENDED PCB LAYOUT(TOP VIEW)
THICKNESS 0.80MM;DEFAULT TOLERANCE:±0.05

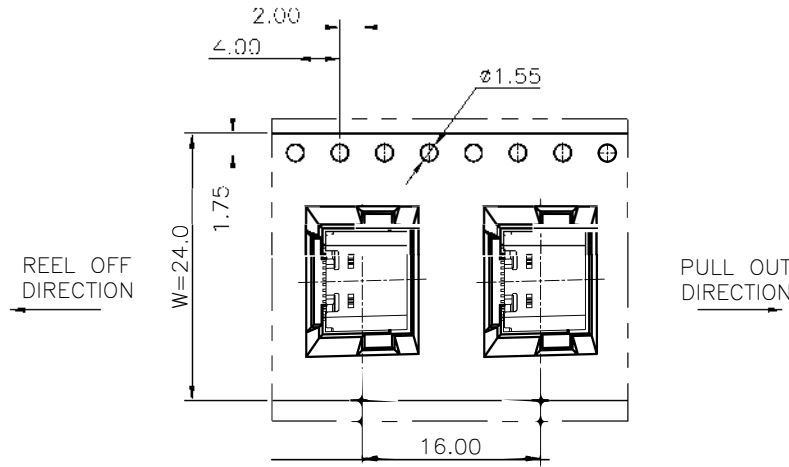
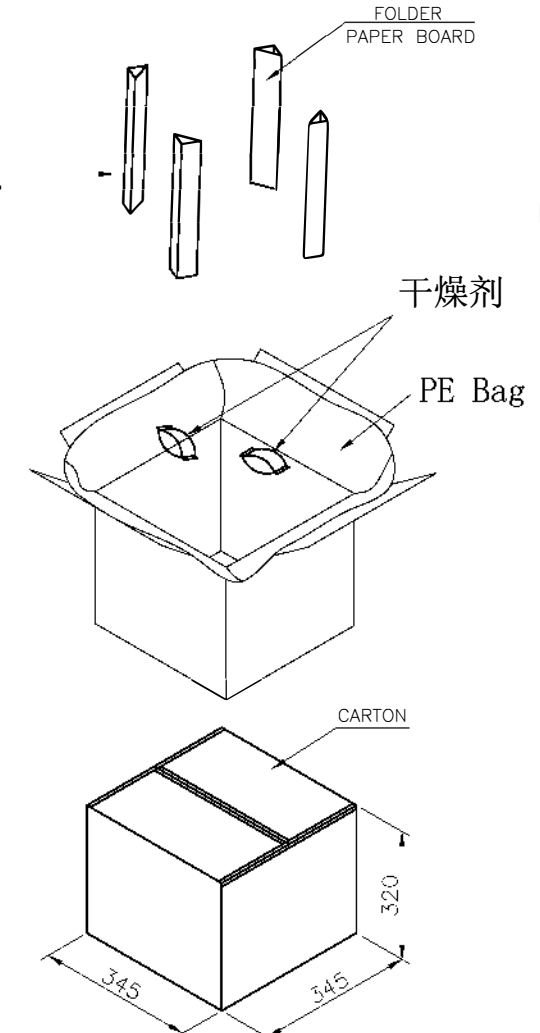
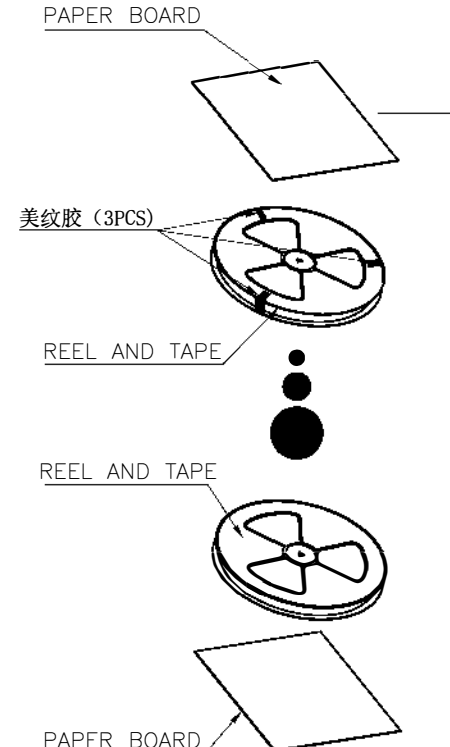
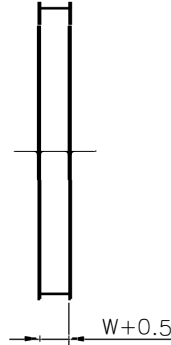
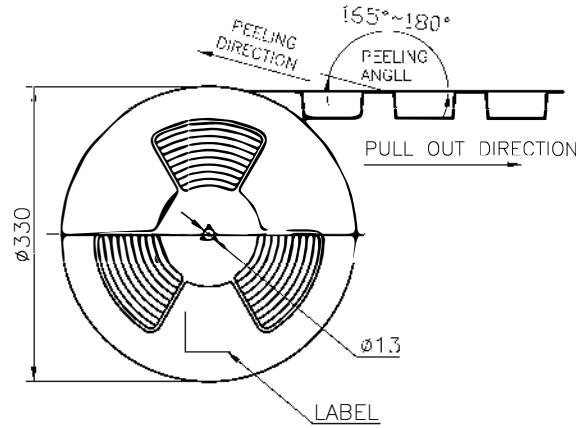
QUALITY SYMBOL $\nabla = 0$ $\nabla = 0$ $\nabla = 0$ $\nabla = 0$ ANGULAR	PART NO.: SEE THE PART NUMBER CODE	GOLDCONN TECHNOLOGIES COMPANY LIMITED	DRAWN BY SAM	DATE 2019.10.21																
	GENERAL TOLERANCES (UNLESS SPECIFIED)	TITLE USB CF 16PIN (L=7.35)WITH POST一体成型	CHECKED BY JAY	DATE 2019.10.21																
	<table border="1"> <tr> <td>x.xxxx</td> <td>±</td> <td>---</td> </tr> <tr> <td>x.xxx</td> <td>±</td> <td>0.10</td> </tr> <tr> <td>x.xx</td> <td>±</td> <td>0.25</td> </tr> <tr> <td>x.x</td> <td>±</td> <td>0.30</td> </tr> <tr> <td>x.x</td> <td>±</td> <td>---</td> </tr> </table>	x.xxxx	±	---	x.xxx	±	0.10	x.xx	±	0.25	x.x	±	0.30	x.x	±	---	DWG.NO. CF044-02	SHEET NO. 2 OF 3	APPROVED BY JACKY	DATE 2019.10.21
	x.xxxx	±	---																	
x.xxx	±	0.10																		
x.xx	±	0.25																		
x.x	±	0.30																		
x.x	±	---																		
DIMENSION STYLE MM ONLY	DESIGN UNITS METRIC	SCALE 1:1	THIRD ANGLE PROJECTION																	

RoHS Compliant

REV	ECN No.	DATE	REMARK
A	NEW	2019.10.21	NEW RELEASE
B	NEW	2019.11.25	增加防水袋和美纹胶



SEE DETAIL X



	REEL	CARTON
CONNECTOR (PCS)	800	8000

PART NO.: SEE THE PART NUMBER CODE		GOLDCONN TECHNOLOGIES COMPANY LIMITED		DRAWN BY SAM	DATE 2019.11.25
GENERAL TOLERANCES (UNLESS SPECIFIED)		TITLE USB CF 16PIN (L=7.35)WITH POST一体式成型		CHECKED BY JAY	DATE 2019.11.25
QUALITY SYMBOL	0	DWG.NO. CF044-02	SHEET NO. 3 OF 3	APPROVED BY JACKY	DATE 2019.11.25
	x.xxxx	± 0.10	DIMENSION STYLE MM ONLY	DESIGN UNITS METRIC	SCALE 1:1
	x.xxx	± 0.25	THIRD ANGLE PROJECTION		
	x.xx	± 0.30	frame size: A4		
	x.x	± ---°			
	ANGULAR	± ---°			