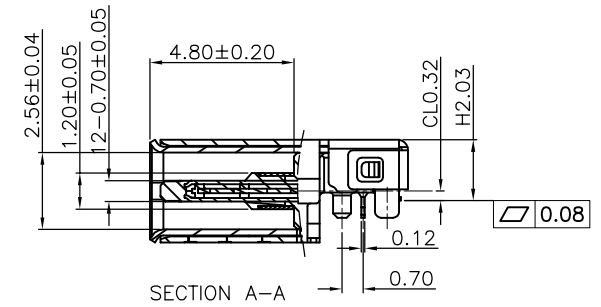
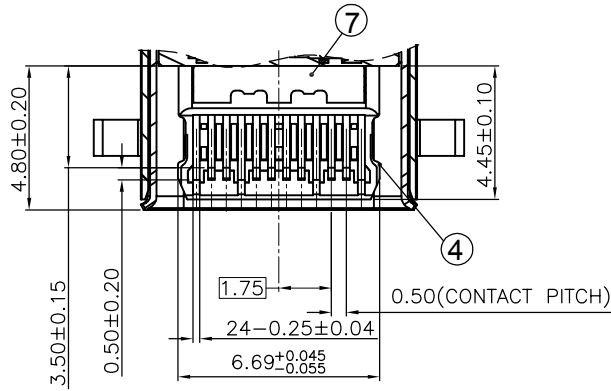
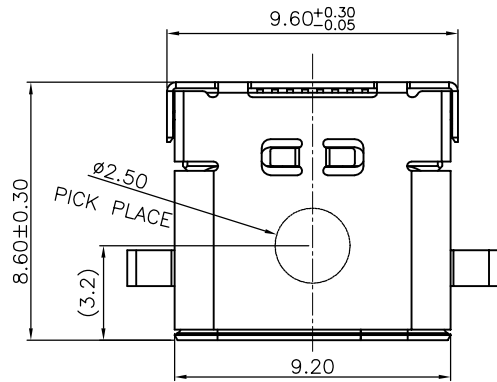
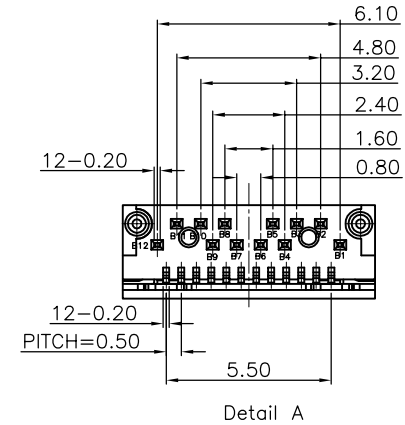
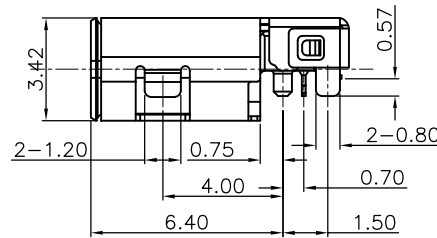
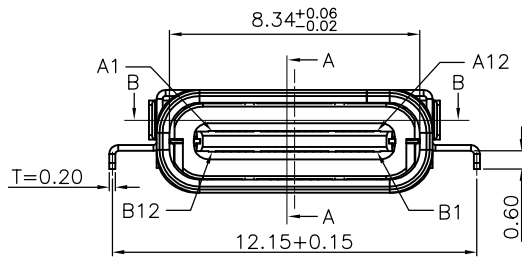


RoHS Compliant 

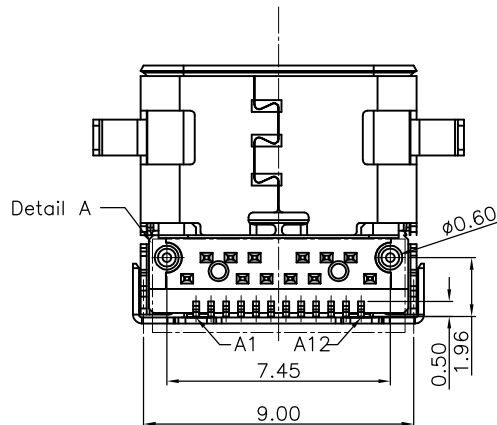
REV	ECN No.	DATE	REMARK
A	NEW	2021.05.23	NEW RELEASE



SECTION B-B



Detail A



PART NO.:
SEE THE PART NUMBER CODE

Goldconn Technologies Co., Ltd

DRAWN BY: SAM
DATE: 2021.05.23

QUALITY SYMBOL	GENERAL TOLERANCES (UNLESS SPECIFIED)
$\nabla = 0$	x.xxxxx ± ---
$\nabla = 0$	x.xxx ± 0.10
$\nabla = 0$	x.xx ± 0.25
$\nabla = 0$	x.x ± 0.30
$\nabla = 0$	ANGULAR ± ---°

TITLE		DWG. NO.		SHEET NO.	
TYPE C REC.DOUBLE SHELL SINK CLO.32 L=8.60		CF051-24-C3		1 OF 2	
DIMENSION STYLE	DESIGN UNITS	SCALE			
MM ONLY	METRIC	1:1			

CHECKED BY: JAY
DATE: 2021.05.23

APPROVED BY: JACKY
DATE: 2021.05.23

 THIRD ANGLE PROJECTION

frame size: A4

RoHS Compliant

REV	ECN No.	DATE	REMARK
A	NEW	2021.05.23	NEW RELEASE

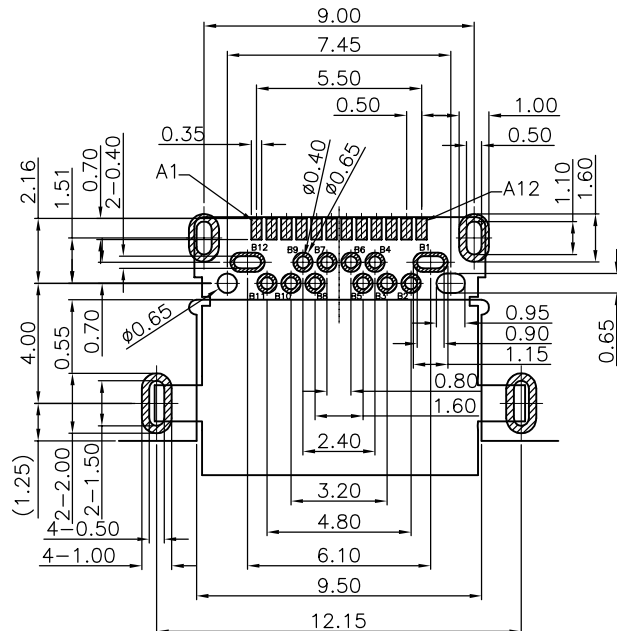
NOTE:

- Electrical Characteristics:
 - 1-1: Current Rating: 5A For Pin(A4,A9,B4,B9)
1.25A For Pin(B5)
0.25A For Others Pin
 - 1-2: VOLTAGE RATING:20V
 - 1-3: Insulation Resistance: 100MΩ Min.
 - 1-4: Contact Resistance:
VBUS & GND PINS AND OTHER PINS: 40mΩ/PIN MAX.
SHIELD:50mΩ/MAX.
SHIELD:LLCR MAX. CHANGE OF ALL PINS: 10mΩ.
 - 1-5: Dielectric Withstanding Voltage: 100V/AC 1Minute
- Mechanical Characteristics:
 - Insertion Force: 5~20N
 - Extraction Force: Initial: 8~20N
After durability: 6~20N
 - Durability :10000 Cycles
- Operating Temperature: -25°C TO +85°C
- MID PLATE, EMC PLATE, SHELL CONNECTED TOGETHER

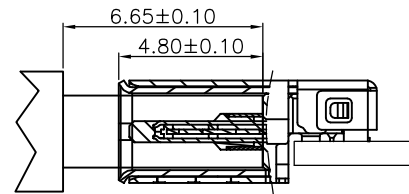
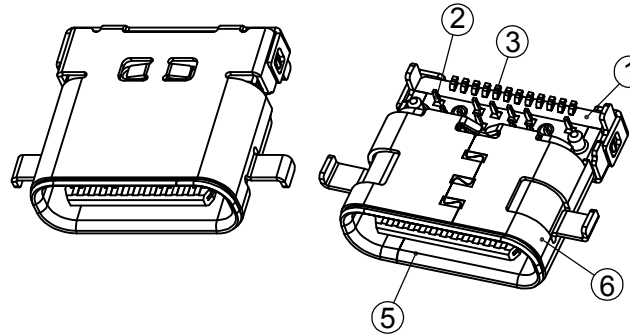
5.PART NUMBER CODE:(产品料号)

CF051-24 X X 01 R-C3
(1) (2)(3) (4)

- (1) HOUSING MATERIAL:
L:LCP
- (2) HOUSING COLOR:
B:BLACK
- (3) CONTACTS PLATED:
01:半金锡1u"
- (4) PACKING OPTIONS
R:TAPE & REEL



RECOMMENDED P.C.B. LAYOUT
TOLERANCE UNSPECIFIED ±0.05mm
(TOP VIEW)



MATED CONDITION(REF.)

TYPE:

NO.	DESCRIPTION	MATERIAL	REMARKS	QTY
7	EMC PLATE	SUS301 T=0.10mm	CLEAR ONLY	2PCS
6	OUTER SHELL	SUS304 T=0.20mm	NICKEL 30u" MIN PLATING	2PCS
5	INNER SHELL	SUS304 T=0.20mm	NICKEL 30u" MIN PLATING	1PCS
4	SHIELDING PLATE	SUS301 T=0.15mm	CLEAR ONLY	1PCS
3	SMT CONTACT	C18150-H T=0.12mm	IN 50u" MIN. UNDER PLATED OVER ALL Au PLATED ON THE FUNCTIONAL AREA OF CONTACT. PLATING TH OF THE SOLDER AREA IN 50u" MIN. UNDER PLATED OVER ALL Au PLATED ON THE FUNCTIONAL AREA OF CONTACT. PLATING TH OF THE SOLDER AREA	1SET
2	DIP CONTACT	C18150-H T=0.12mm	IN 50u" MIN. UNDER PLATED OVER ALL Au PLATED ON THE FUNCTIONAL AREA OF CONTACT. PLATING TH OF THE SOLDER AREA	1SET
1	HOUSING	LCP UL94V-0	BLACK	1PCS

USB TYPE-C PIN ASSIGNMENTS

PIN NUMBER	SIGNAL NAME	PIN NUMBER	SIGNAL NAME
A1	GND	B12	GND
A2	SSTXp1	B11	SSRXp1
A3	SSTXn1	B10	SSRXn1
A4	VBUS	B9	VBUS
A5	CC1	B8	SBU2
A6	Dp1	B7	Dn2
A7	Dn1	B6	Dp2
A8	SBU1	B5	CC2
A9	VBUS	B4	VBUS
A10	SSRXn2	B3	SSTXn2
A11	SSRXp2	B2	SSTXp2
A12	GND	B1	GND

PART NO.: SEE THE PART NUMBER CODE		Goldconn Technologies Co., Ltd		DRAWN BY SAM	DATE 2021.05.23
GENERAL TOLERANCES (UNLESS SPECIFIED)		TITLE TYPE C REC.DOUBLE SHELL SINK CLO.32 L=8.60		CHECKED BY JAY	DATE 2021.05.23
QUALITY SYMBOL	0	x.xxxxx	± ---	APPROVED BY JACKY	DATE 2021.05.23
	0	x.xxx	± 0.10		
	0	x.xx	± 0.25		
	0	x.x	± 0.30		
	0	ANGULAR	± ---		
DWG.NO. CF051-24-C3		SHEET NO. 2 OF 2		SCALE 1:1	
DIMENSION STYLE MM ONLY		DESIGN UNITS METRIC		THIRD ANGLE PROJECTION	