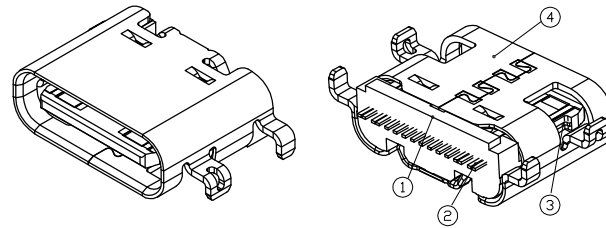
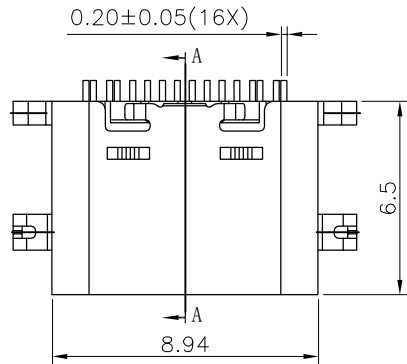


RoHS Compliant 

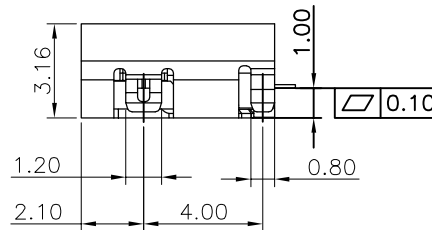
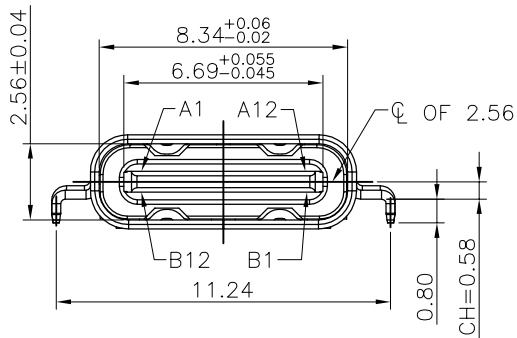
THI

REV	ECN No.	DATE	REMARK
A	NEW	2021.02.03	NEW RELEASE



NOTE:

- Electrical Characteristics:
  - 1-1: Current Rating: 5A For Pin(A4,A9,B4,B9)  
1.25A For Pin(B5)  
0.25A For Others Pin
  - 1-2: VOLTAGE RATING:5.0V
  - 1-3: Insulation Resistance: 100MΩ Min.
  - 1-4: Contact Resistance:  
VBUS & GND PINS AND OTHER PINS: 40mΩ/PIN MAX.  
SHIELD:50mΩ/MAX.  
SHIELD:LLCR MAX. CHANGE OF ALL PINS: 10mΩ.
  - 1-5: Dielectric Withstanding Voltage: 100V/AC 1Minute
- Mechanical Characteristics:
  - Insertion Force: 5~20N
  - Extraction Force: Initial: 8~20N  
After durability: 6~20N
  - Durability :10000 Cycles
- Operating Temperature: -25°C TO +85°C



4. PART NUMBER CODE:(产品料号)

Z-CF059S L B XX XX - A - 02  
(1) (2) (3) (4)

(1) HOUSING MATERIAL:

L:LCP

(2) HOUSING COLOR:

B:BLACK

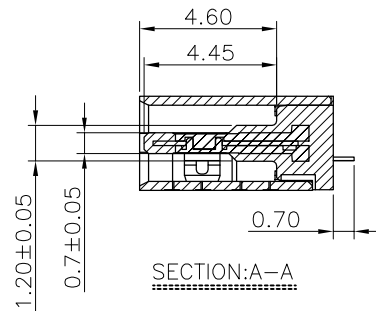
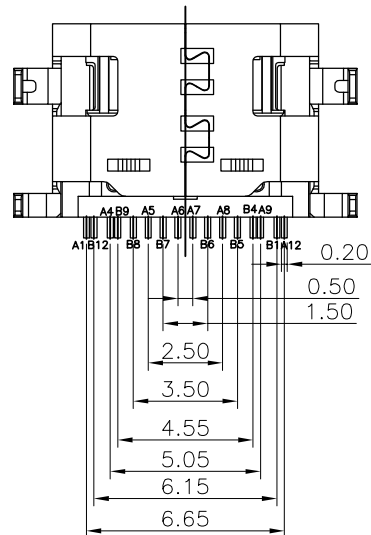
(3) CONTACTS PLATED:

12:接触镀金3u\*其它GF

(4) PACKING OPTIONS

R:卷装(常用料)

VR:卷装+真空包装(专用客户指定包规)



TYPE:

4	SHELL	SUS304 1/2H T=0.30mm	NICKEL 30u" MIN PLATING	1PCS
3	SHIELDING PLATE	SUS301 3/4H T=0.15mm	---	1PCS
2	CONTACT	C18400-H T=0.12mm	NI 50u" MIN. UNDER PLATED OVER ALL Au 3u" PLATED ON THE FUNCTIONAL AREA OF CONTACT. PLATING G/F OF THE SOLDER AREA	2SET
1	HOUSING	LCP UL94V-0	BLACK	1PCS
NO.	DESCRIPTION	MATERIAL	REMARKS	QTY

PART NO.:  
SEE THE PART NUMBER CODE

GOLDCONN TECHNOLOGIES COMPANY LIMITED

DRAWN BY: SAM  
DATE: 2021.02.03

QUALITY SYMBOL	0	GENERAL TOLERANCES (UNLESS SPECIFIED)
	x.xxxxx	± ---
	x.xxx	± 0.10
	x.xx	± 0.20
	x.x	± 0.30
ANGULAR	± ---	

TITLE: USB CF 16PIN (L=6.5) 沉板1.0		DWG.NO. Z-CF059-02		SHEET NO. 1 OF 2	
DIMENSION STYLE: MM ONLY		DESIGN UNITS: METRIC		SCALE: 1:1	

CHECKED BY: JAY  
DATE: 2021.02.03

APPROVED BY: JACKY  
DATE: 2021.02.03

THIRD ANGLE PROJECTION

