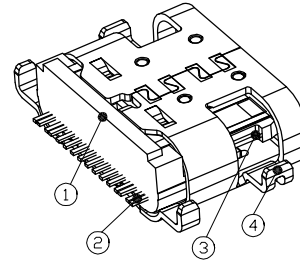
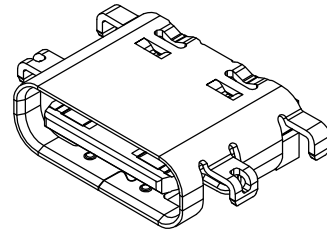
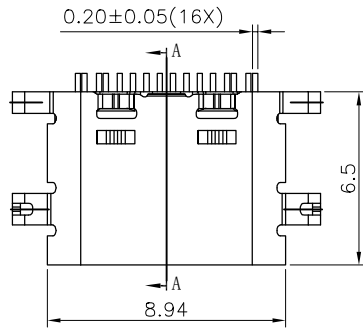


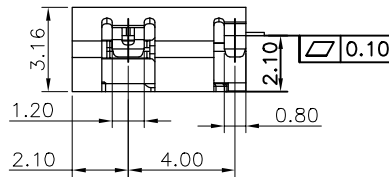
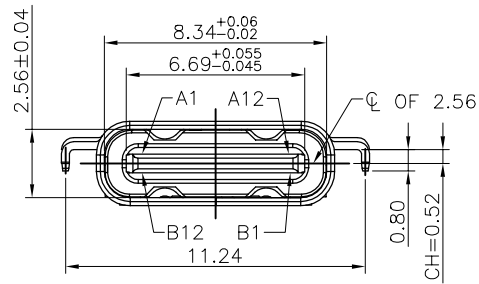
RoHS Compliant 

REV	ECN No.	DATE	REMARK
A	NEW	2017.08.31	NEW RELEASE
B	ECN2104005	2021.04.09	增加外壳底部卡勾



NOTE:

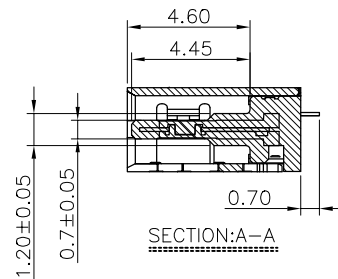
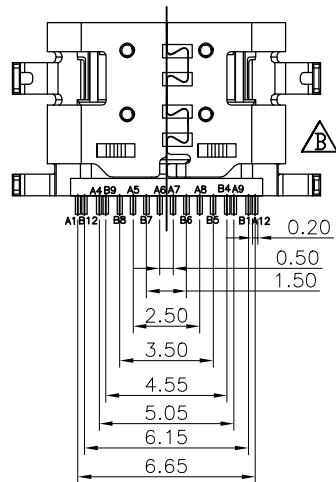
- Electrical Characteristics:
 - 1-1: Current Rating: 5A For Pin(A4,A9,B4,B9)
1.25A For Pin(B5)
0.25A For Others Pin
 - 1-2: VOLTAGE RATING:5.0V
 - 1-3: Insulation Resistance: 100MΩ Min.
 - 1-4: Contact Resistance:
VBUS & GND PINS AND OTHER PINS: 40mΩ/PIN MAX.
SHIELD:50mΩ/MAX.
SHIELD:LLCR MAX. CHANGE OF ALL PINS: 10mΩ.
 - 1-5: Dielectric Withstanding Voltage: 100V/AC 1Minute
- Mechanical Characteristics:
 - Insertion Force: 5~20N
 - Extraction Force: Initial: 8~20N
 - After durability: 6~20N
 - Durability :10000 Cycles
- Operating Temperature: -25°C TO +85°C



4. PART NUMBER CODE:(产品料号)

Z-CF060S L B XX XX - A - 02
(1) (2) (3) (4)

- (1) HOUSING MATERIAL:
L:LCP
- (2) HOUSING COLOR:
B:BLACK
- (3) CONTACTS PLATED:
12:接触镀金3u"其它GF
- (4) PACKING OPTIONS
R:卷装(常用料)
VR:卷装+真空包装(专用客户指定包规)



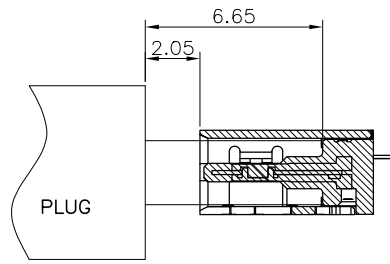
TYPE:

NO.	DESCRIPTION	MATERIAL	REMARKS	QTY
4	SHELL	SUS304 1/2H T=0.30mm	NICKEL 30u" MIN PLATING	1PCS
3	SHIELDING PLATE	SUS301 3/4H T=0.15mm	---	1PCS
2	CONTACT	C18400-H T=0.12mm	NI 50u" MIN. UNDER PLATED OVER ALL. AU 3u" PLATED ON THE FUNCTIONAL AREA OF CONTACT. PLATING G/F OF THE SOLDER AREA	2SET
1	HOUSING	LCP UL94V-0	BLACK	1PCS

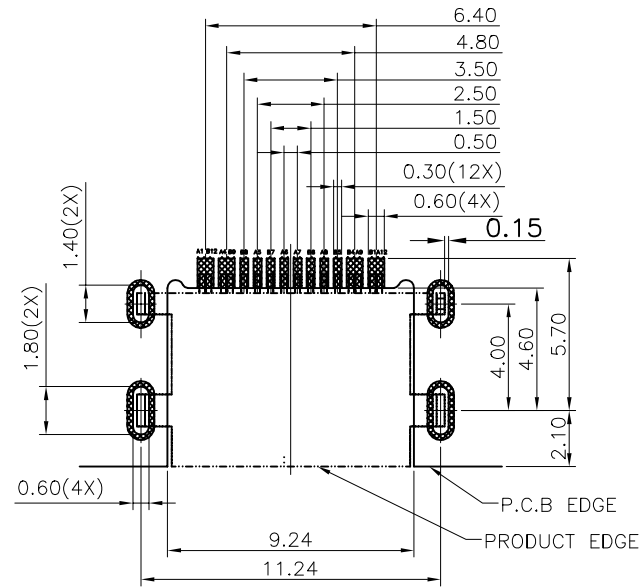
PART NO.: SEE THE PART NUMBER CODE		GOLDCONN TECHNOLOGIES COMPANY LIMITED		DRAWN BY SAM	DATE 2021.04.09
QUALITY SYMBOL 0 0 0 0 0	GENERAL TOLERANCES (UNLESS SPECIFIED)		TITLE USB CF 16PIN (L=6.5) 沉板2.1		
	x.xxxxx	± ---	DWG.NO. Z-CF060-02	CHECKED BY JAY	
	x.xxx	± 0.10		DATE 2021.04.09	
	x.xx	± 0.25		APPROVED BY JACKY	
	x.x	± 0.30		DATE 2021.04.09	
ANGULAR	± ---°	SHEET NO. 1 OF 2			
DIMENSION STYLE MM ONLY		DESIGN UNITS METRIC	SCALE 1:1	THIRD ANGLE PROJECTION	

RoHS Compliant 

REV	ECN No.	DATE	REMARK
A	NEW	2017.08.31	NEW RELEASE
B	ECN2104005	2021.04.09	增加外壳底部卡勾



AFTER MATING



RECOMMENDED PCB LAYOUT(TOP VIEW)
THICKNESS 0.80MM;DEFAULT TOLERANCE:±0.05

USB TYPE-C PIN ASSIGNMENTS

PIN NUMBER	SIGNAL NAME	PIN NUMBER	SIGNAL NAME
A1	GND	B12	GND
A4	VBUS	B9	VBUS
A5	CC1	B8	SBU2
A6	Dp1	B7	Dn2
A7	Dn1	B6	Dp2
A8	SBU1	B5	CC2
A9	VBUS	B4	VBUS
A12	GND	B1	GND

PART NO.: SEE THE PART NUMBER CODE		GOLDCONN TECHNOLOGIES COMPANY LIMITED		DRAWN BY SAM	DATE 2021.04.09
QUALITY SYMBOL = 0 ▽ = 0 = 0 ▽ = 0	GENERAL TOLERANCES (UNLESS SPECIFIED)		TITLE USB CF 16PIN (L=6.5) 沉板2.1		
	x.xxxx	± ---	DWG.NO. Z-CF060-02	SHEET NO. 2 OF 2	
	x.xxx	± 0.10		APPROVED BY JACKY	
	x.xx	± 0.25		DATE 2021.04.09	
	x.x	± 0.30		SCALE 1:1	
ANGULAR	± ---°	DIMENSION STYLE MM ONLY	DESIGN UNITS METRIC	THIRD ANGLE PROJECTION	