

NOTE:

- Electrical Characteristics:
  - 1-1: Current Rating: 5A For Pin(A4,A9,B4,B9)  
1.25A For Pin(CC PIN)  
0.25A For Others Pin
  - 1-2: VOLTAGE RATING:5.0V
  - 1-3: Insulation Resistance: 100MΩ Min.
  - 1-4: Contact Resistance:  
VBUS & GND PINS AND OTHER PINS: 40mΩ/PIN MAX.  
SHIELD:50mΩ/MAX.  
SHIELD:LLCR MAX. CHANGE OF ALL PINS: 10mΩ.
  - 1-5: Dielectric Withstanding Voltage: 100V/AC 1Minute
- Mechanical Characteristics:
  - Insertion Force: 5~20N
  - Extraction Force: Initial: 8~20N
  - After durability: 6~20N
  - Durability :10000 Cycles
- Operating Temperature: -25°C TO +85°C

4. PART NUMBER CODE:(产品料号)

Z-CF061 S C B XX R - A - 01  
(1) (2) (3)

- (1) HOUSING MATERIAL:  
C:PA9T
- (2) HOUSING COLOR:  
B:BLACK
- (3) CONTACTS PLATED:  
12:接触镀金3u"其它GF

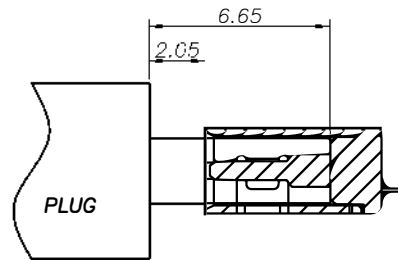
TYPE:

4	SHELL	SUS304 T=0.30mm	NICKEL 30u" MIN PLATING	1PCS
3	SHIELDING PLATE	SUS301 T=0.15mm	---	1PCS
2	CONTACT	C18150-H T=0.12mm	NI 50u" MIN. UNDER PLATED OVER ALL AU PLATED ON THE FUNCTIONAL AREA OF CONTACT. PLATING G/F OF THE SOLDER AREA	2SET
1	HOUSING	PA9T UL94V-0	BLACK	1PCS
NO.	DESCRIPTION	MATERIAL	REMARKS	QTY

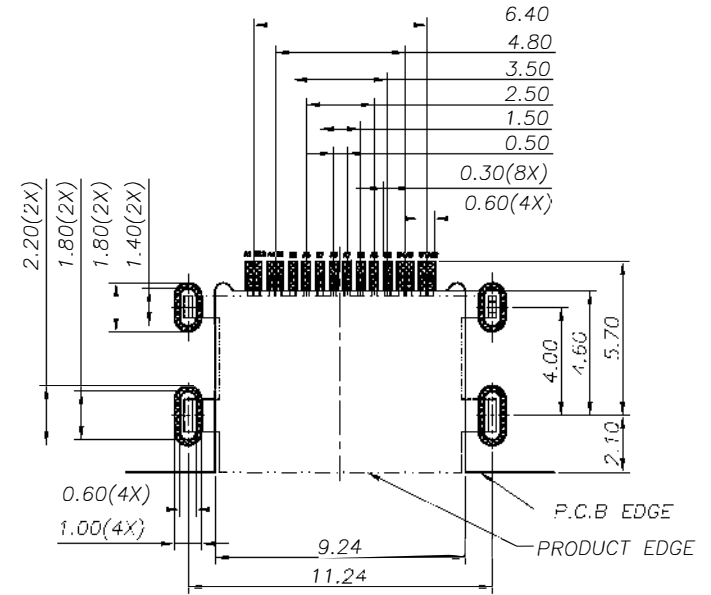
PART NO.: SEE THE PART NUMBER CODE		GOLDCONN TECHNOLOGIES COMPANY LIMITED		DRAWN BY SAM	DATE 2020.10.12	
QUALITY SYMBOL 0 0 0 0 0	GENERAL TOLERANCES (UNLESS SPECIFIED)		TITLE USB CF 16PIN (L=6.5) MID MOUNT 0.8MM			
	x.xxxxx	± ---	DWG.NO. CF061-01	SHEET NO. 1 OF 3	CHECKED BY JAY	
	x.xxx	± 0.10			DATE 2020.10.12	
	x.xx	± 0.20	DIMENSION STYLE MM ONLY	SCALE 1:1	DESIGN UNITS METRIC	APPROVED BY JACKY
	x.x	± 0.30			DATE 2020.10.12	
ANGULAR	± ---	THIRD ANGLE PROJECTION				

RoHS Compliant 

REV	ECN No.	DATE	REMARK
A	NEW	2020.10.12	NEW RELEASE



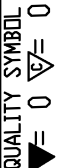
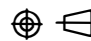
AFTER MATING

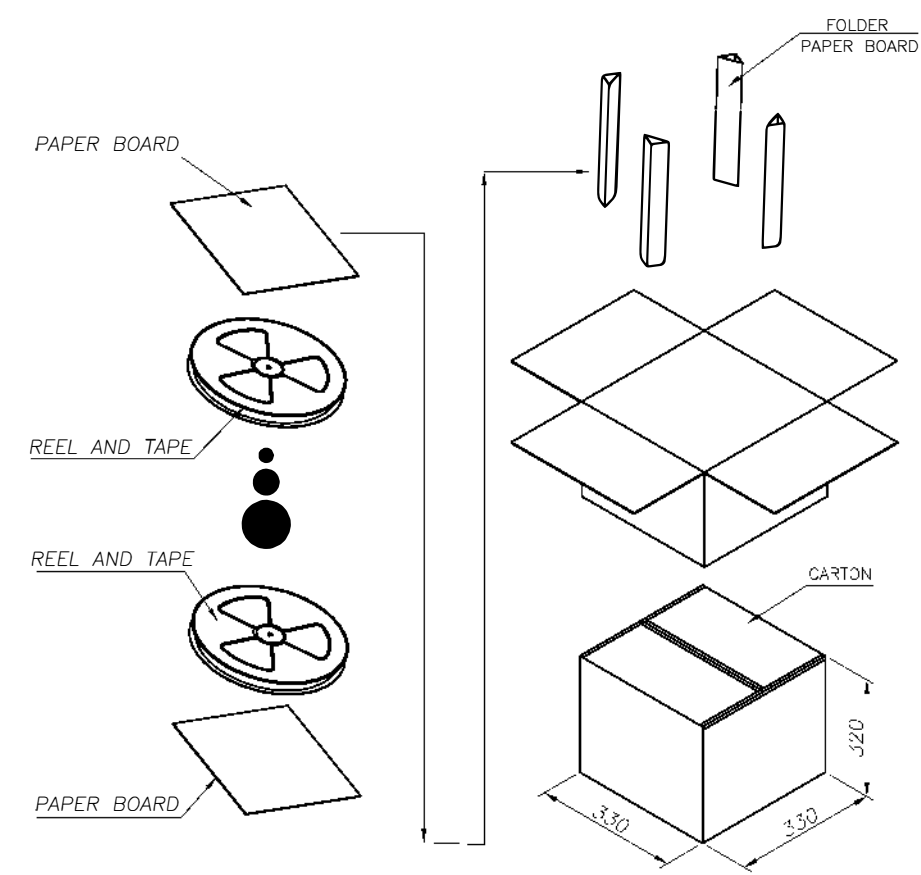
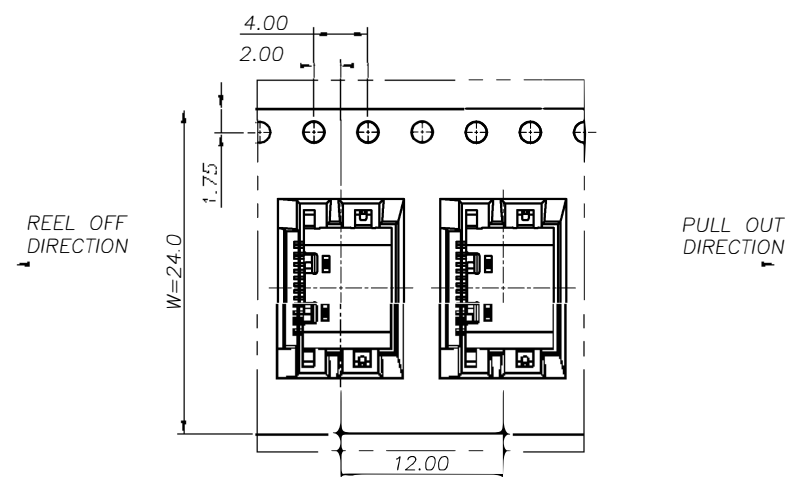
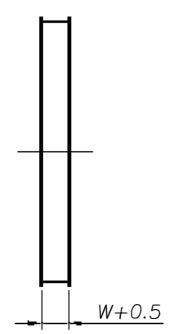
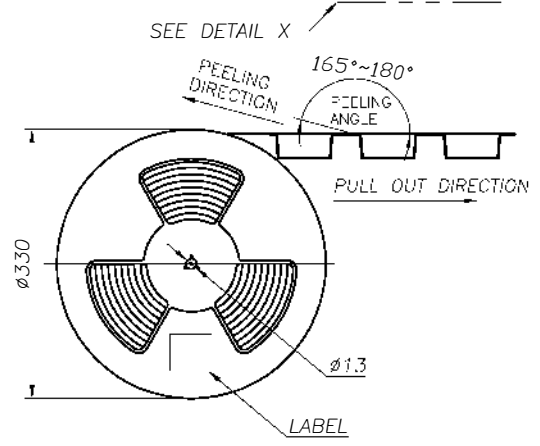
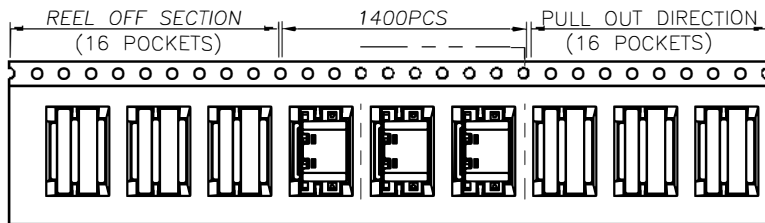


RECOMMENDED PCB LAYOUT(TOP VIEW)  
THICKNESS 0.80MM;DEFAULT TOLERANCE:±0.05

USB TYPE-C PIN ASSIGNMENTS

PIN NUMBER	SIGNAL NAME	PIN NUMBER	SIGNAL NAME
A1	GND	B12	GND
A4	VBUS	B9	VBUS
A5	CC1	B8	SBU2
A6	Dp1	B7	Dn2
A7	Dn1	B6	Dp2
A8	SBU1	B5	CC2
A9	VBUS	B4	VBUS
A12	GND	B1	GND

<b>PART NO.:</b> SEE THE PART NUMBER CODE		GOLDCONN TECHNOLOGIES COMPANY LIMITED		<b>DRAWN BY</b> SAM	<b>DATE</b> 2020.10.12
<b>QUALITY SYMBOL</b> 		<b>GENERAL TOLERANCES (UNLESS SPECIFIED)</b> X.XXXXX ± --- X.XXXX ± 0.10 X.XX ± 0.20 X.X ± 0.30 ANGULAR ± ---		<b>TITLE</b> USB CF 16PIN (L=6.5) MID MOUNT 0.8MM	
		<b>DWG.NO.</b> CF061-01		<b>SHEET NO.</b> 2 OF 3	
<b>DIMENSION STYLE</b> MM ONLY		<b>DESIGN UNITS</b> METRIC		<b>SCALE</b> 1:1	
				<b>APPROVED BY</b> JACKY	
				<b>DATE</b> 2020.10.12	
				 THIRD ANGLE PROJECTION	



	REEL	CARTON
CONNECTOR (PCS)	1400	14000

<b>PART NO.:</b> SEE THE PARTNUMBER CODE		GOLDCONN TECHNOLOGIES COMPANY LIMITED		DRAWN BY SAM	DATE 2020.10.12
GENERAL TOLERANCES (UNLESS SPECIFIED)		TITLE USB CF 16PIN (L=6.5) MID MOUNT 0.8MM		CHECKED BY JAY	DATE 2020.10.12
QUALITY SYMBOL		DWG.NO.	CF061-01	APPROVED BY JACKY	DATE 2020.10.12
$\nabla=0$	x.xxxx	DIMENSION STYLE	MM ONLY	SHEET NO.	3 OF 3
$\nabla=0$	x.xxx	DESIGN UNITS	METRIC	SCALE	1:1
$\nabla=0$	x.xx			THIRD ANGLE PROJECTION	
$\nabla=0$	x.x			frame size: A4	
$\nabla=0$	ANGULAR				