

RoHS Compliant

THI

REV	ECN No.	DATE	REMARK
A	NEW	2017.08.31	NEW RELEASE
B	ECN202105002	2021.05.06	增加真空包装料号规格

NOTE:

- Electrical Characteristics:
 - 1-1: Current Rating: 5A For Pin(A4,A9,B4,B9)
1.25A For Pin(B5)
0.25A For Others Pin
 - 1-2: VOLTAGE RATING:5.0V
 - 1-3: Insulation Resistance: 100MΩ Min.
 - 1-4: Contact Resistance:
VBUS & GND PINS AND OTHER PINS: 40mΩ/PIN MAX.
SHIELD:50mΩ/MAX.
SHIELD:LLCR MAX. CHANGE OF ALL PINS: 10mΩ.
 - 1-5: Dielectric Withstanding Voltage: 100V/AC 1Minute
- Mechanical Characteristics:
 - Insertion Force: 5~20N
 - Extraction Force: Initial: 8~20N
After durability: 6~20N
 - Durability :10000 Cycles
- Operating Temperature: -25°C TO +85°C

4. PART NUMBER CODE:(产品料号)

Z-CF061 X L B XX XX - A - 02
(1)(2) (3)(4) (5)

(1) HOUSING MATERIAL:

S:外壳无LOGO

L:外壳带ZDTCNN LOGO

(2) HOUSING MATERIAL:

L:LCP

(3) HOUSING COLOR:

B:BLACK

(4) CONTACTS PLATED:

12:接触镀金3u"其它GF

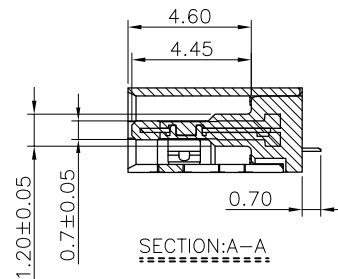
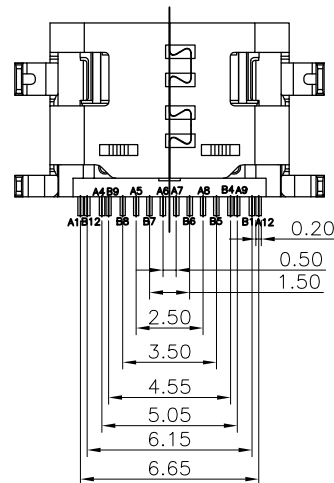
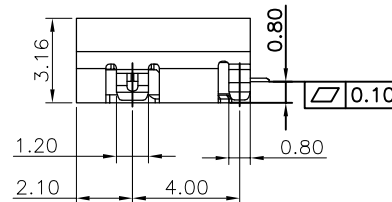
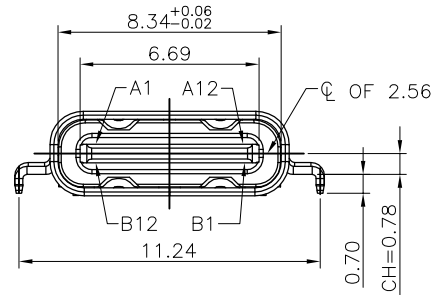
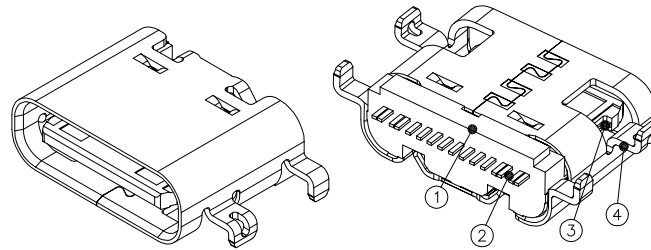
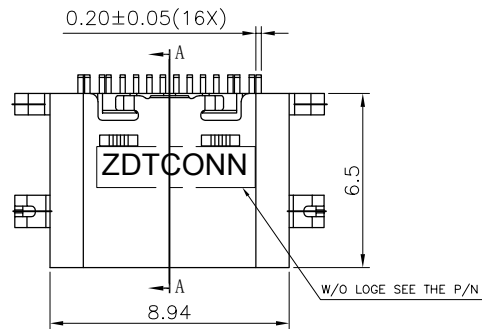
15:接触镀金30u"其它GF

24:接触区镀钯30u"焊接区单面镀金3U"

(5) PACKING OPTIONS

R:卷装(常用料)

VR:卷装+真空包装(专用客户指定包规)



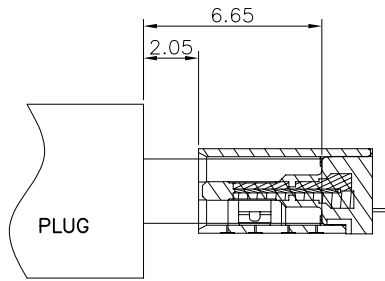
TYPE:

NO.	DESCRIPTION	MATERIAL	REMARKS	QTY
4	SHELL	SUS304 1/2H T=0.30mm	NICKEL 30u" MIN PLATING	1PCS
3	SHIELDING PLATE	SUS301 3/4H T=0.15mm	---	1PCS
2	CONTACT	C18400-H T=0.12mm	Ni 50u" MIN. UNDER PLATED OVER ALL. Au PLATED ON THE FUNCTIONAL AREA OF CONTACT. PLATING G/F OF THE SOLDER AREA	2SET
1	HOUSING	LCP UL94V-0	BLACK	1PCS

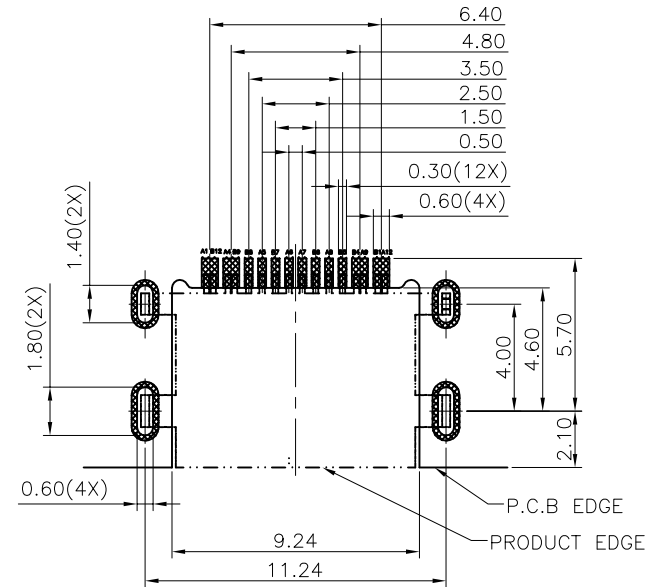
PART NO.: SEE THE PART NUMBER CODE		GOLDCONN TECHNOLOGIES COMPANY LIMITED		DRAWN BY SAM	DATE 2021.05.06	
QUALITY SYMBOL = 0 >= 0	GENERAL TOLERANCES (UNLESS SPECIFIED)		TITLE USB CF 16PIN (L=6.5) 沉板0.8			
	x.xxxx	±---	DWG.NO. CF061-02	SHEET NO. 1 OF 2	CHECKED BY JAY	DATE 2021.05.06
	x.xxx	±0.10			APPROVED BY JACKY	DATE 2021.05.06
	x.xx	±0.20	DIMENSION STYLE MM ONLY	DESIGN UNITS METRIC	SCALE 1:1	THIRD ANGLE PROJECTION
	x.x	±0.30				
ANGULAR	---					

RoHS Compliant 

REV	ECN No.	DATE	REMARK
A	NEW	2017.08.31	NEW RELEASE
B	ECN202105002	2021.05.06	增加真空包装料号规格



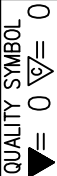
AFTER MATING



RECOMMENDED PCB LAYOUT(TOP VIEW)
THICKNESS 0.80MM;DEFAULT TOLERANCE:±0.05

USB TYPE-C PIN ASSIGNMENTS

PIN NUMBER	SIGNAL NAME	PIN NUMBER	SIGNAL NAME
A1	GND	B12	GND
A4	VBUS	B9	VBUS
A5	CC1	B8	SBU2
A6	Dp1	B7	Dn2
A7	Dn1	B6	Dp2
A8	SBU1	B5	CC2
A9	VBUS	B4	VBUS
A12	GND	B1	GND

QUALITY SYMBOL 	PART NO.:		DRAWN BY		DATE	
	SEE THE PART NUMBER CODE		GOLDCONN TECHNOLOGIES COMPANY LIMITED		SAM	2021.05.06
	GENERAL TOLERANCES (UNLESS SPECIFIED)		TITLE		CHECKED BY	DATE
	x.xxxx	± ---	USB CF 16PIN (L=6.5) 沉板2.1		JAY	2021.05.06
	x.xxx	± 0.10	DWG.NO.	Z-CF060-02	APPROVED BY	DATE
x.xx	± 0.20	SHEET NO.		JACKY	2021.05.06	
x.x	± 0.30	SCALE		THIRD ANGLE PROJECTION		
ANGULAR	± ---°	DIMENSION STYLE	DESIGN UNITS	frame size: A4		
		MM ONLY	METRIC			