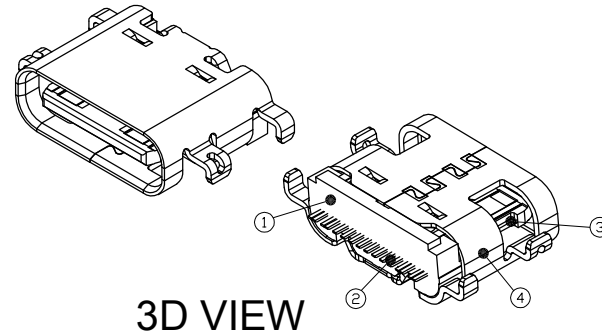
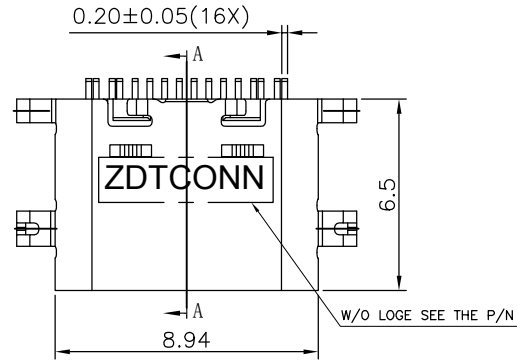


RoHS Compliant

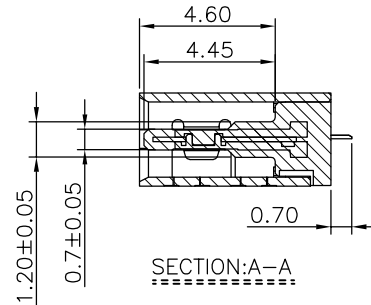
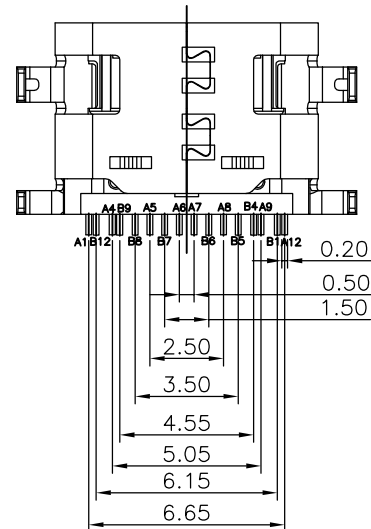
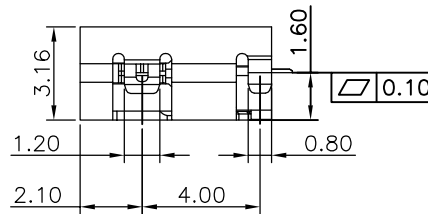
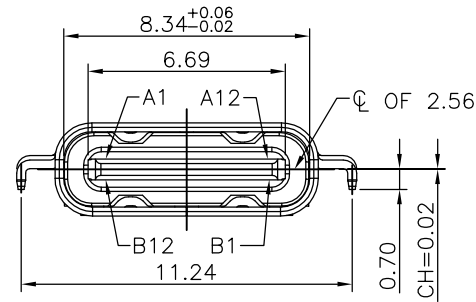
REV	ECN No.	DATE	REMARK
A	NEW	2020.12.30	NEW RELEASE
B	ECN2103001	2021.03.15	新增橙色规格



3D VIEW

NOTE:

- MATERIAL SPECIFICATION:
 - HOUSING: HIGH TEMPERATURE RESISTANT PLASTIC, UL94 V-0.
 - TERMINAL: COPPER ALLOY
 - MID PLATE: STAINLESS STEEL
 - FRONT SHELL: STAINLESS STEEL
- PLATING SPECIFICATION:
 - TERMINAL:
 - Ni 50u" MIN. UNDER PLATED OVER ALL.
 - Au PLATED ON THE FUNCTIONAL AREA OF CONTACT. (GOLD PLATING THICKNESS FOLLOW THE P/N)
 - PLATING SPECIFICATIONS OF THE SOLDER AREA FOLLOW THE P/N
 - FRONT SHELL:
 - PLATING SPECIFICATIONS FOLLOW THE P/N
 - MID PLATE:
 - CLEAR ONLY
- MECHANICAL PERFORMANCE,
 - INSERTION FORCE: 0.5~2.0kgf.
 - REMOVAL FORCE: 0.8kgf~2.0kgf.
 - DURABILITY: 10000 CYCLES.
- ELECTRICAL PERFORMANCE,
 - VOLTAGE RATING: 5 V DC/AC (RMS. max)
CURRENT RATING: 5 AMPS. FOR TOTAL VBUS/GND PINS;
1.25AMPS FOR CC PIN, 0.25 AMPS. FOR ALL OTHER CONTACT.
 - LLCR:
 - VBUS & GND PINS AND OTHER PINS: 40mΩ/PIN MAX.
 - SHIELD: 50mΩ/MAX.
 - LLCR MAX. CHANGE OF ALL PINS: 10mΩ.
 - INSULATION RESISTANCE: 100MΩ MIN
 - DIELECTRIC WITHSTAND VOLTAGE, AC 100V FOR 1 MINUTE.
- ENVIRONMENTAL PERFORMANCE:
 - OPERATING TEMPERATURE: -25°C~+85°C.
 - IR REFLOW:
 - THE PEAK TEMPERATURE ON THE BOARD SHALL BE MAINTAINED FOR 10 SECONDS AT 260°C.



料号对照表

No.	料号	品名规格
1	Z-CF062SLB12R-A-02	端子半成品: Au:3u"LCP 黑色 盐雾24
2	Z-CF062LLB12R-A-02	端子半成品: Au:3u"LCP 黑色,盐雾24H外壳带ZDTCOHN LOGO
3	Z-CF062SLB12R-C-02	端子半成品: Au:3u"LCP 黑色,盐雾48H
4	Z-CF062SLO12R-C-02	端子半成品: Au:3u"LCP 橙色,盐雾48H

PART NO.:
SEE THE PART NUMBER CODE

GOLDCONN TECHNOLOGIES COMPANY LIMITED

DRAWN BY: SAM DATE: 2021.03.15

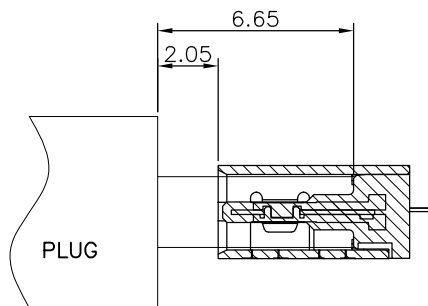
QUALITY SYMBOL	GENERAL TOLERANCES (UNLESS SPECIFIED)	
	x.xxxxx	± ---
	x.xxx	± 0.10
	x.xx	± 0.25
	x.x	± 0.30
ANGULAR	± ---	

TITLE		DWG. NO.		SHEET NO.	
USB CF 16PIN (L=6.5) 沉板1.6一体式成型		CF062-02		1 OF 3	
DIMENSION STYLE		DESIGN UNITS		SCALE	
MM ONLY		METRIC		1:1	

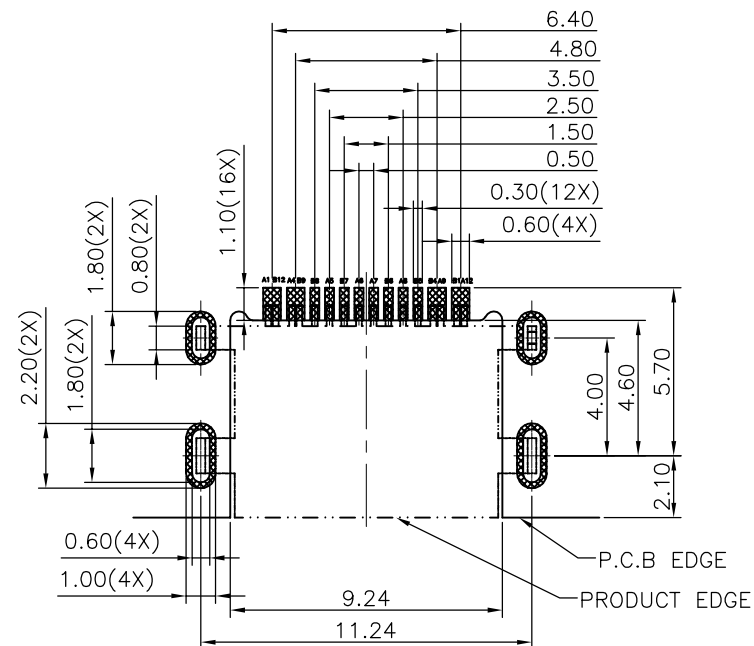
CHECKED BY: JAY DATE: 2021.03.15
APPROVED BY: JACKY DATE: 2021.03.15
THIRD ANGLE PROJECTION

RoHS Compliant

REV	ECN No.	DATE	REMARK
A	NEW	2020.12.30	NEW RELEASE
B	ECN2103001	2021.03.15	新增橙色规格



AFTER MATING



RECOMMENDED PCB LAYOUT(TOP VIEW)
THICKNESS 0.80MM;DEFAULT TOLERANCE:±0.05

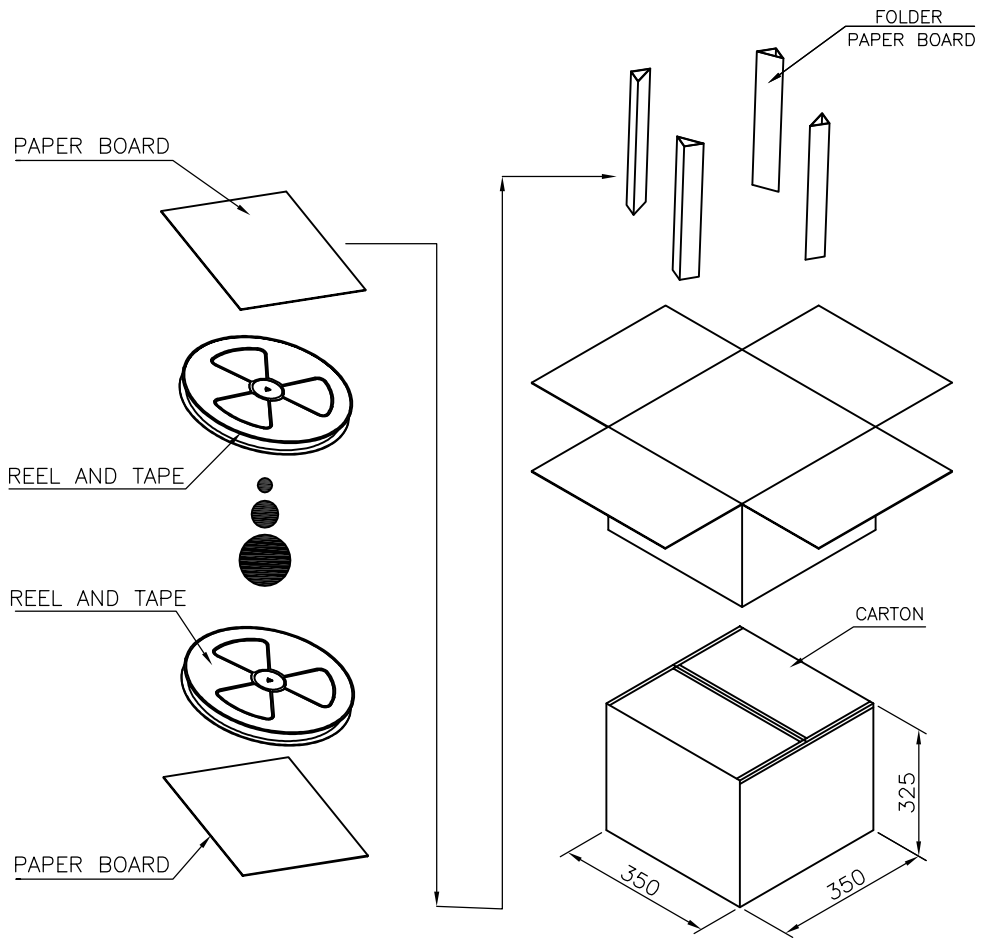
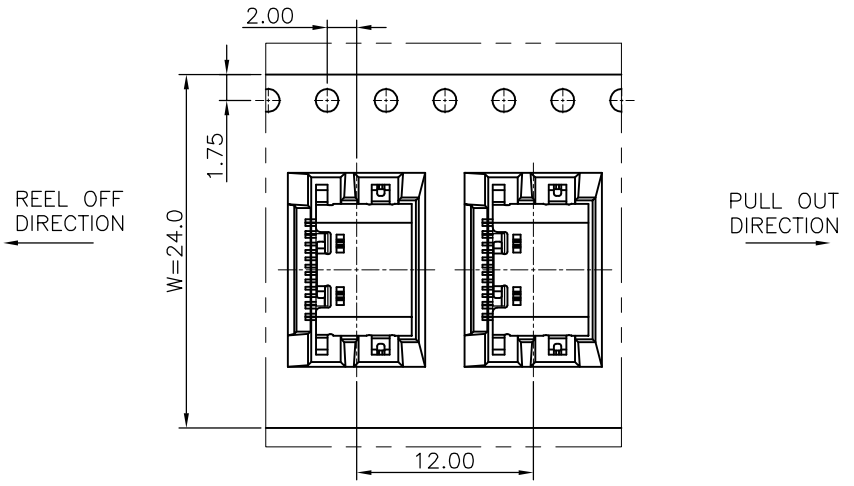
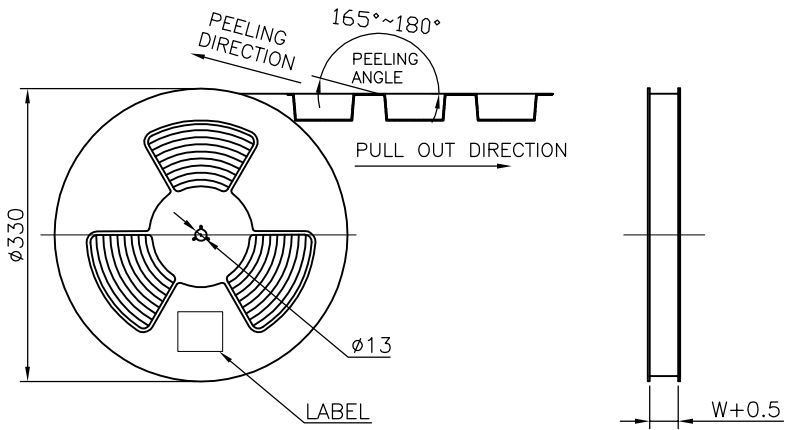
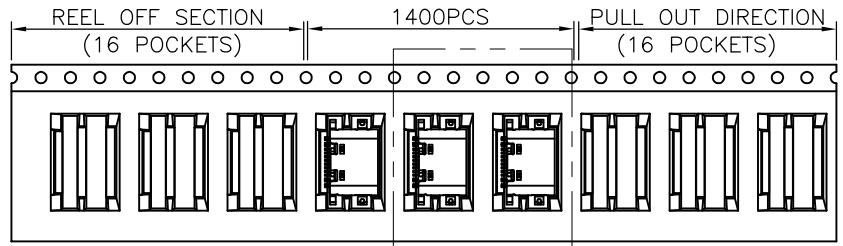
USB TYPE-C PIN ASSIGNMENTS

PIN NUMBER	SIGNAL NAME	PIN NUMBER	SIGNAL NAME
A1	GND	B12	GND
A4	VBUS	B9	VBUS
A5	CC1	B8	SBU2
A6	Dp1	B7	Dn2
A7	Dn1	B6	Dp2
A8	SBU1	B5	CC2
A9	VBUS	B4	VBUS
A12	GND	B1	GND

PART NO.: SEE THE PART NUMBER CODE		GOLDCONN TECHNOLOGIES COMPANY LIMITED		DRAWN BY SAM	DATE 2021.03.15	
QUALITY SYMBOL = 0	GENERAL TOLERANCES (UNLESS SPECIFIED)		TITLE USB CF 16PIN (L=6.5) 沉板1.6一体式成型			
	x.xxxx	± ---	DWG.NO. CF062-02	SHEET NO. 2 OF 3	CHECKED BY JAY	DATE 2021.03.15
	x.xxx	± 0.10			APPROVED BY JACKY	DATE 2021.03.15
	x.xx	± 0.25	DIMENSION STYLE MM ONLY	DESIGN UNITS METRIC	SCALE 1:1	
	x.x	± 0.30	THIRD ANGLE PROJECTION			
ANGULAR	± ---	frame size: A4				

RoHS Compliant 

REV	ECN No.	DATE	REMARK
A	NEW	2020.12.30	NEW RELEASE
B	ECN2103001	2021.03.15	新增橙色规格



	REEL	CARTON
CONNECTOR (PCS)	1400	14000

PART NO.: SEE THE PART NUMBER CODE		GOLDCONN TECHNOLOGIES COMPANY LIMITED		DRAWN BY SAM	DATE 2021.03.15												
<table border="1"> <tr> <th colspan="2">GENERAL TOLERANCES (UNLESS SPECIFIED)</th> </tr> <tr> <td>x.xxxxx</td> <td>± ---</td> </tr> <tr> <td>x.xxx</td> <td>± 0.10</td> </tr> <tr> <td>x.xx</td> <td>± 0.25</td> </tr> <tr> <td>x.x</td> <td>± 0.30</td> </tr> <tr> <td>ANGULAR</td> <td>± ---</td> </tr> </table>		GENERAL TOLERANCES (UNLESS SPECIFIED)		x.xxxxx	± ---	x.xxx	± 0.10	x.xx	± 0.25	x.x	± 0.30	ANGULAR	± ---	TITLE USB CF 16PIN (L=6.5) 沉板1.6一体式成型		CHECKED BY JAY	DATE 2021.03.15
		GENERAL TOLERANCES (UNLESS SPECIFIED)															
x.xxxxx	± ---																
x.xxx	± 0.10																
x.xx	± 0.25																
x.x	± 0.30																
ANGULAR	± ---																
		DWG.NO. CF062-02	SHEET NO. 3 OF 3	APPROVED BY JACKY	DATE 2021.03.15												
		DIMENSION STYLE MM ONLY	DESIGN UNITS METRIC	SCALE 1:1													
		THIRD ANGLE PROJECTION															

frame size: A4