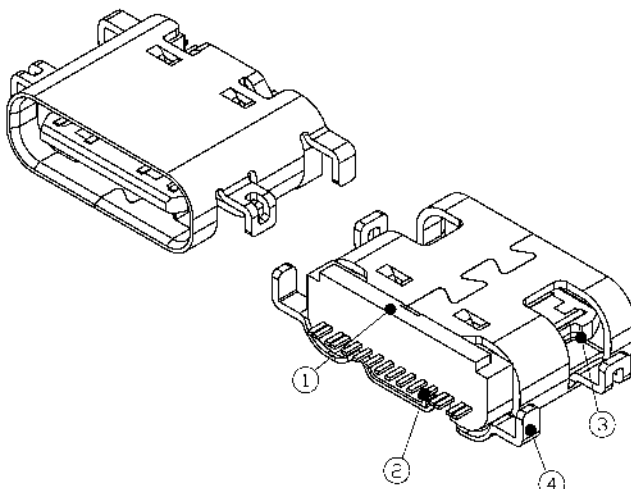
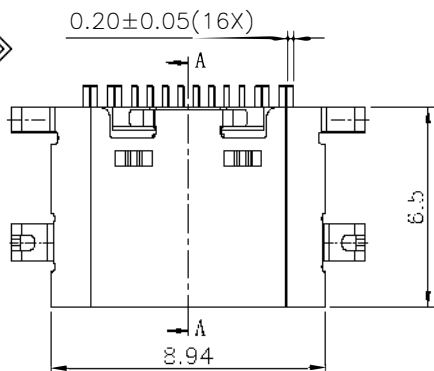


REV	ECN No.	DATE	REMARK
A0	NEW	2017.08.31	NEW RELEASE



NOTE:

1.MATERIAL SPECIFICATION:

- 1.HOUSING:HIGH TEMPERATURE RESISTANT PLASTIC,UL94 V-0.
- 2.CONTACTS:COPPER ALLOY
- 3.MID PLATE: STAINLESS STEEL
- 4.FRONT SHELL: STAINLESS STEEL

2.PLATING SPECIFICATION:

- 2-1.CONTACTS:  
Ni 50u" MIN. UNDER PLATED OVER ALL.  
Au PLATED ON THE FUNCTIONAL AREA OF CONTACT.  
(GOLD PLATING THICKNESS FOLLOW THE P/N)  
PLATING SPECIFICATIONS OF THE SOLDER AREA FOLLOW THE P/N

2-2.FRONT SHELL:

- Ni 30u" MIN. UNDER PLATED OVER ALL.

2-3.MID PLATE:

- CLEAR ONLY

3.MECHANICAL PERFORMANCE,

- 3-1.INSERTION FORCE: 0.5~2.0kgf.
- 3-2.REMOVAL FORCE: 0.8kgf~2.0kgf.
- 3-3.DURABILITY: 10000 CYCLES.

4.ELECTRICAL PERFORMANCE,

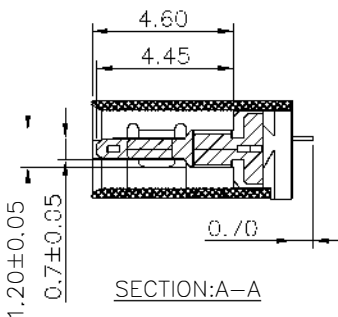
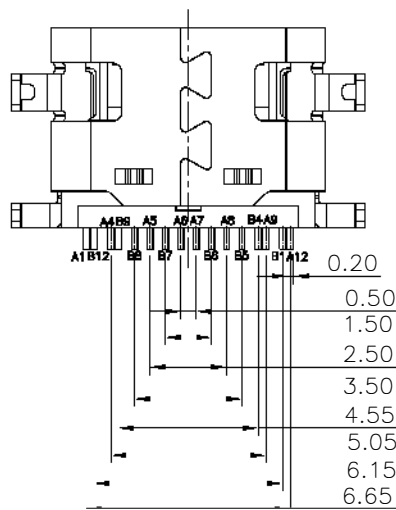
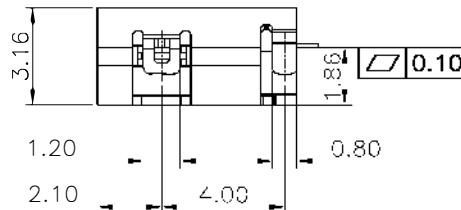
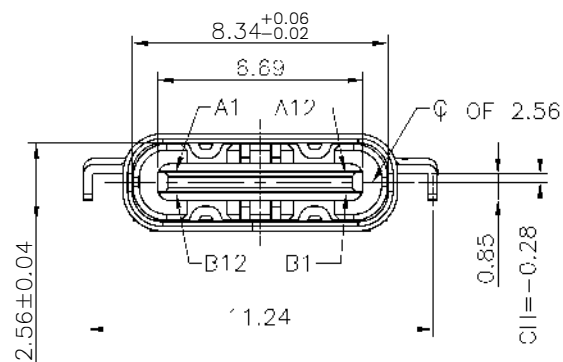
- 4-1. CURRENT RATING:5.0A  
VOLTAGE RATING:5.0V
- 4-2. LLCR:  
VBUS & GND PINS AND OTHER PINS: 40mA/PIN MAX.  
SHIELD: 50mA/MAX.  
LLCR MAX. CHANGE OF ALL PINS: 10mA.
- 4-3.INSULATION RESISTANCE: 100MΩ MIN
- 4-4.DIELECTRIC WITHSTAND VOLTAGE,AC 100V FOR 1 MINUTE.

5. ENVIRONMENTAL PERFORMANCE:

- OPERATING TEMPERATURE: -25°C~+85°C.

6.IR REFLOW:

- THE PEAK TEMPERATURE ON THE BOARD SHALL BE MAINTAINED FOR 10 SECONDS AT 260°C.



料号对照表

No.	料号	品名规格
1	Z-CF063SLB12R-A-01	端子半成品: Au:3u"LCP 黑色

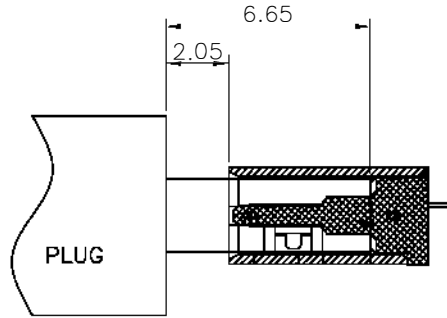
MATERIAL NO.:

SEE THE TABLE  
REVIEW TABLE FOR DETAILS

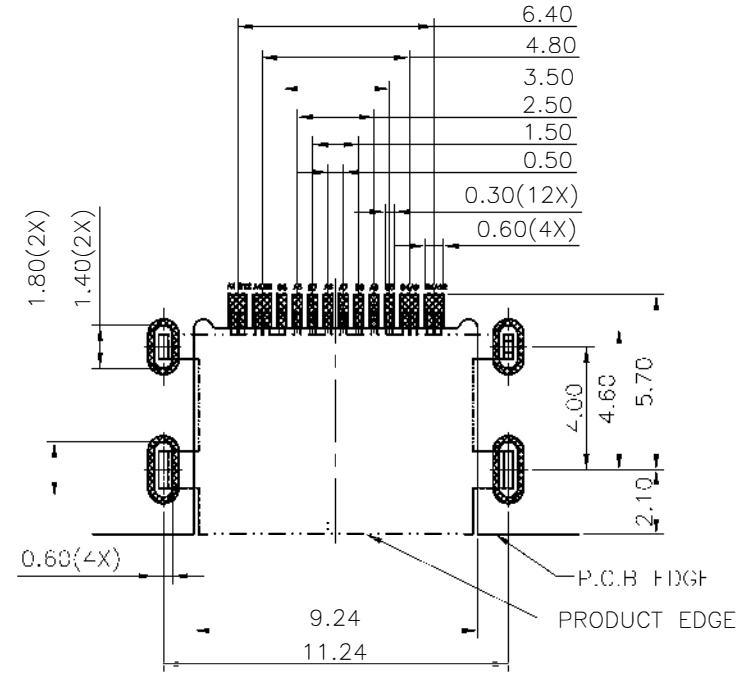
QUALITY SYMBOL	0	GENERAL TOLERANCES (UNLESS SPECIFIED)
	x.xxxx	± ---
	x.xxx	± 0.10
	x.xx	± 0.25
	x.x	± 0.30
ANGULAR	± ---	

GOLDCONN TECHNOLOGIES COMPANY LIMITED		DATE 2017.08.31
TITLE USB CF 16PIN (L=6.5) 沉板1.86mm 一体式成型		CHECKED BY JAY
DOCUMENT NO. ZDT-CF063		DATE 2017.08.31
SHEET NO. 1 OF 3		APPROVED BY JACKY
DIMENSION STYLE MM ONLY	DESIGN UNITS METRIC	DATE 2017.08.31
SCALE 5:1		THIRD ANGLE PROJECTION

REV	ECN No.	DATE	REMARK
A0	NEW	2017.08.31	NEW RELEASE



AFTER MATING



RECOMMENDED PCB LAYOUT(TOP VIEW)  
THICKNESS 0.80MM;DEFAULT TOLERANCE:±0.05

USB TYPE-C PIN ASSIGNMENTS

PIN NUMBER	SIGNAL NAME	PIN NUMBER	SIGNAL NAME
A1	GND	B12	GND
A4	VBUS	B9	VBUS
A5	CC1	B8	SBU2
A6	Dp1	B7	Dn2
A7	Dn1	B6	Dp2
A8	SBU1	B5	CC2
A9	VBUS	B4	VBUS
A12	GND	B1	GND

MATERIAL NO.:

SEE THE TABLE  
REVIEW TABLE FOR DETAILS

QUALITY SYMBOL	0	GENERAL TOLERANCES (UNLESS SPECIFIED)
	x.xxxx	± ---
	x.xxx	± 0.10
	x.xx	± 0.25
	x.x	± 0.30
ANGULAR	± ---	

GOLDCONN TECHNOLOGIES COMPANY LIMITED

TITLE  
USB CF 16PIN (L=6.5) 沉板1.86mm  
一体式成型

DOCUMENT NO.  
ZDT-CF063

SHEET NO.  
2 OF 3

DIMENSION STYLE  
MM ONLY

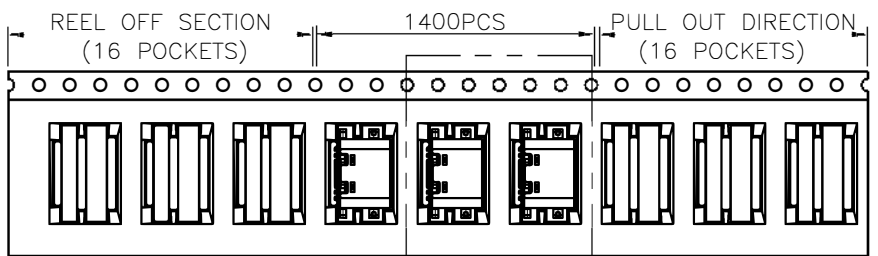
DESIGN UNITS  
METRIC

SCALE  
5:1

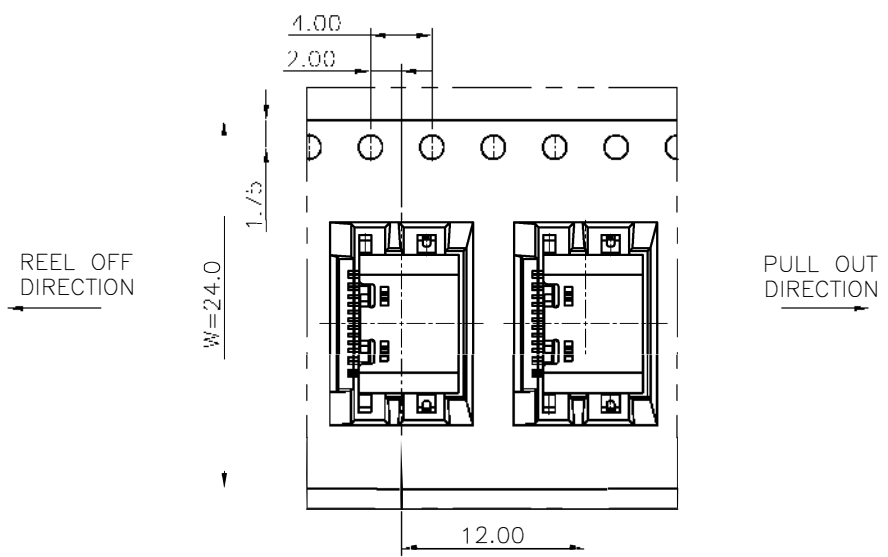
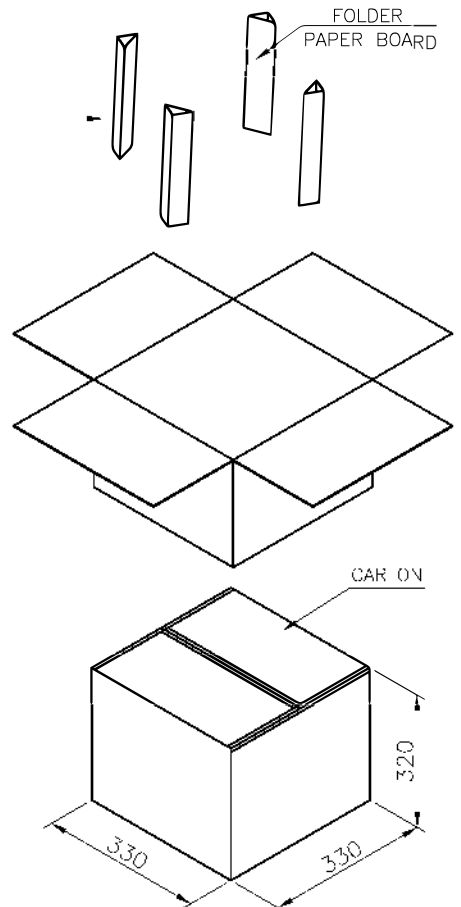
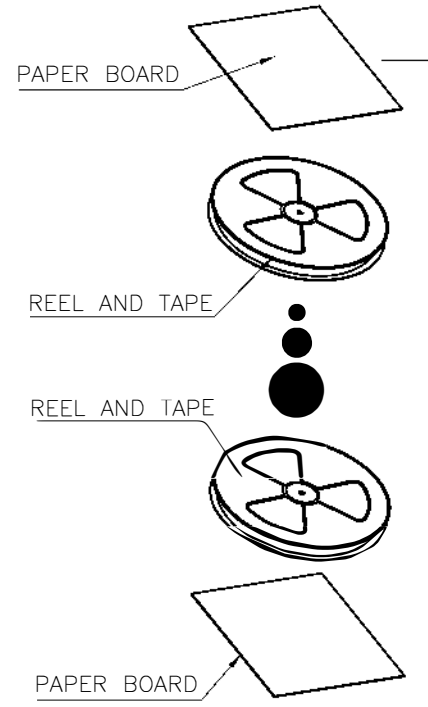
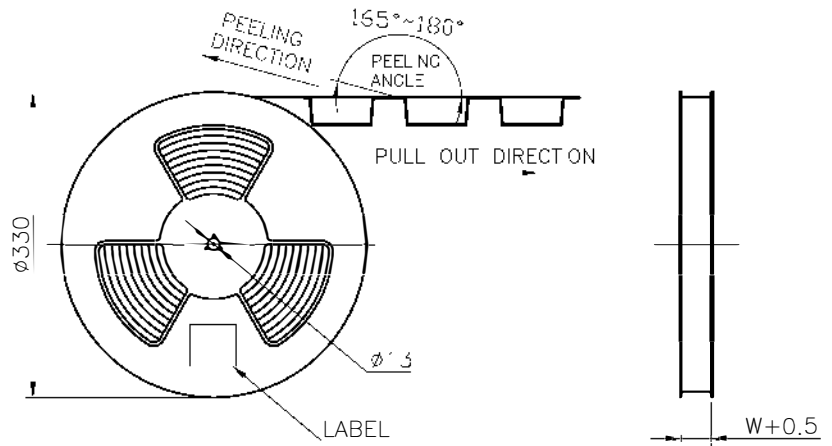
CHECKED BY JAY	DATE 2017.08.31
APPROVED BY JACKY	DATE 2017.08.31

THIRD ANGLE PROJECTION

REV	ECN No.	DATE	REMARK
A0	NEW	2017.08.31	NEW RELEASE



SEE DETAIL X



	REEL	CARTON
CONNECTOR (PCS)	1400	14000

**MATERIAL NO.:**

SEE THE TABLE  
 REVIEW TABLE FOR DETAILS

QUALITY SYMBOL	GENERAL TOLERANCES (UNLESS SPECIFIED)
0	x.xxxxx ± ---
0	x.xxx ± 0.10
0	x.xx ± 0.25
0	x.x ± 0.30
0	ANGULAR ± ---

GOLDCONN TECHNOLOGIES COMPANY LIMITED		DRAWN BY SAM	DATE 2017.08.31
TITLE USB CF 16PIN (L=6.5) 沉板1.86mm 一体式成型		CHECKED BY JAY	DATE 2017.08.31
DOCUMENT NO. ZDT-CF063	SHEET NO. 3 OF 3	APPROVED BY JACKY	DATE 2017.08.31
DIMENSION STYLE MM ONLY	DESIGN UNITS METRIC	SCALE 5:1	THIRD ANGLE PROJECTION

frame size: A4