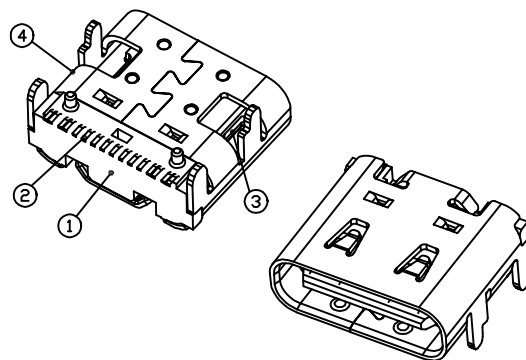
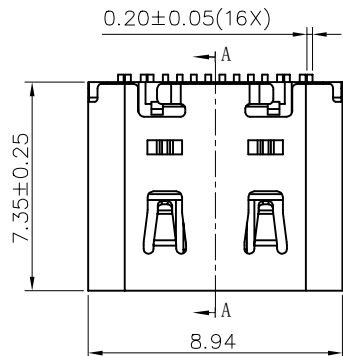


RoHS Compliant

REV	ECN No.	DATE	REMARK
A0	NEW	2019.01.10	NEW RELEASE
B	ECN202106001	2021.06.05	增加脚长1.2 规格
C	---	2021.06.17	增加本色和白色规格区分



NOTE:

1. Electrical Characteristics:

1-1: Current Rating: 5A For Pin(A4,A9,B4,B9)  
1.25 A For Pin(B5)  
0.25A For Others Pin

1-2: VOLTAGE RATING: 5V&20V  
1-3: Insulation Resistance: 100MΩ Min.  
1-4: Contact Resistance:  
VBUS & GND PINS AND OTHER PINS: 40mΩ/PIN MAX.  
SHIELD: 50mΩ/MAX.  
SHIELD:LLCR MAX. CHANGE OF ALL PINS: 10mΩ.

1-5: Dielectric Withstanding Voltage: 100V/AC 1Minute

2. Mechanical Characteristics:

Insertion Force: 5~20N  
Extraction Force: Initial: 8~20N  
After durability: 6~20N  
Durability :10000 Cycles

3. Operating Temperature: -25°C TO +85°C

4.PART NUMBER CODE: (产品料号)

CF146-16 X X XX R - 01  
(1) (2) (3)

(1) HOUSING MATERIAL:

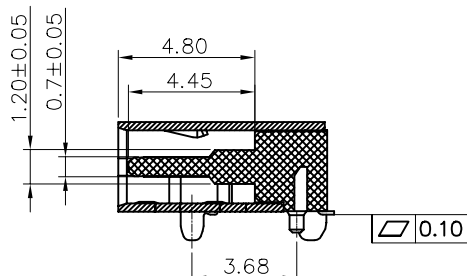
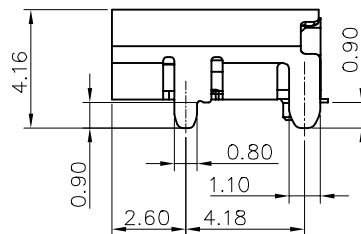
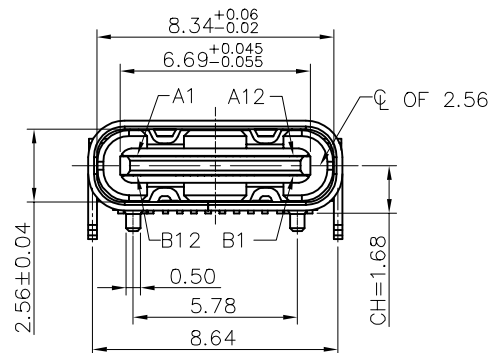
L: LCP  
C: PA9T

(2) HOUSING COLOR:

B: 黑色  
W: 白色  
N: 本色   
L: 色

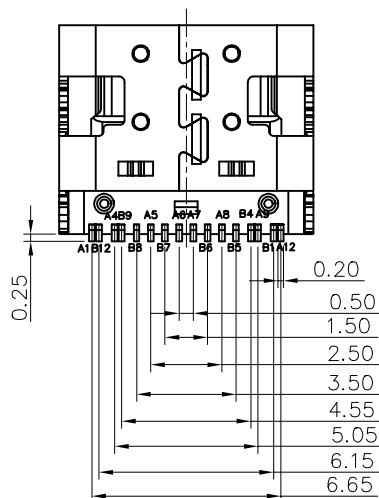
(3) CONTACTS PLATED:

12: 接触镀金3u"其它1u"  
15: 接触镀金30u"其它1u"



TYPE:

NO.	DESCRIPTION	MATERIAL	REMARKS	QTY
4	INNER SHELL	SUS304 T=0.30mm	NICKEL 30u" MIN PLATING	1PCS
3	SHIELDING PLATE	SUS301 T=0.15mm	CLEAR ONLY	1PCS
2	CONTACT	C18400-H T=0.12mm	1000' MIN. UNDER PLATED OVER ALL AU PLATED ON THE FUNCTIONAL AREA OF CONTACT. PLATING TH OF THE SOLDER AREA	1SET
1	HOUSING	LCP /PA9T UL94V-0	----	1PCS



PART NO.:  
SEE THE PART NUMBER CODE

GOLDCONN TECHNOLOGIES COMPANY LIMITED

DRAWN BY: SAM  
DATE: 2021.06.17

QUALITY SYMBOL	GENERAL TOLERANCES (UNLESS SPECIFIED)
$\nabla=0$	x.xxxx ± ---
$\nabla=0$	x.xxx ± 0.10
$\nabla=0$	x.xx ± 0.25
$\nabla=0$	x.x ± 0.30
$\nabla=0$	ANGULAR ± ---°

TITLE	DWG.NO.	SHEET NO.
USB CF 16PIN (L=7.35)WITH POST 外壳带弹片	CF146-16-01	1 OF 3
DIMENSION STYLE	DESIGN UNITS	SCALE
MM ONLY	METRIC	1:1

CHECKED BY: JAY  
DATE: 2021.06.17

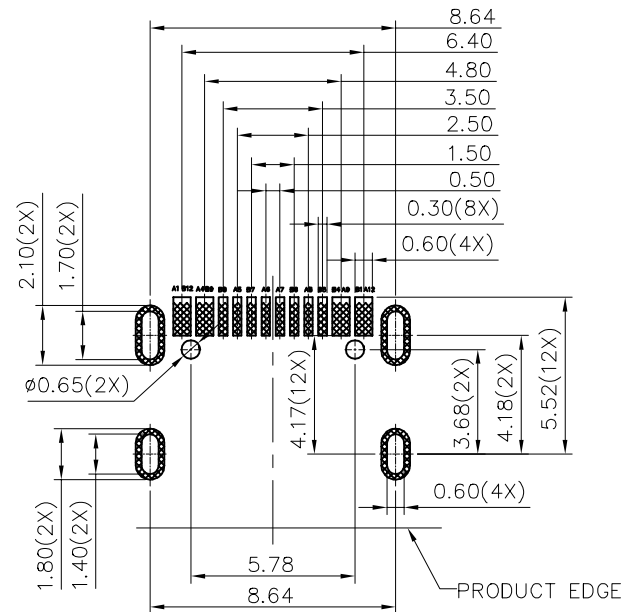
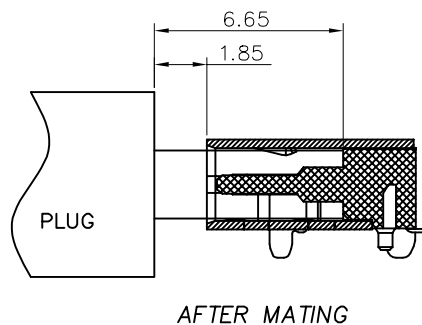
APPROVED BY: JACKY  
DATE: 2021.06.17

THIRD ANGLE PROJECTION

frame size: A4

RoHS Compliant

REV	ECN No.	DATE	REMARK
A0	NEW	2019.01.10	NEW RELEASE
B	ECN202106001	2021.06.05	增加脚长1.2 规格
C	---	2021.06.17	增加本色和白色规格区分



RECOMMENDED PCB LAYOUT(TOP VIEW)  
THICKNESS 0.80MM;DEFAULT TOLERANCE:±0.05

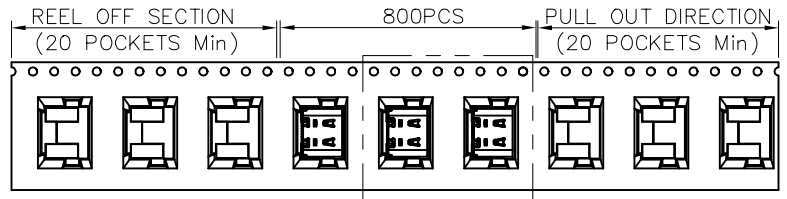
USB TYPE-C PIN ASSIGNMENTS

PIN NUMBER	SIGNAL NAME	PIN NUMBER	SIGNAL NAME
A1	GND	B12	GND
A4	VBUS	B9	VBUS
A5	CC1	B8	SBU2
A6	Dp1	B7	Dn2
A7	Dn1	B6	Dp2
A8	SBU1	B5	CC2
A9	VBUS	B4	VBUS
A12	GND	B1	GND

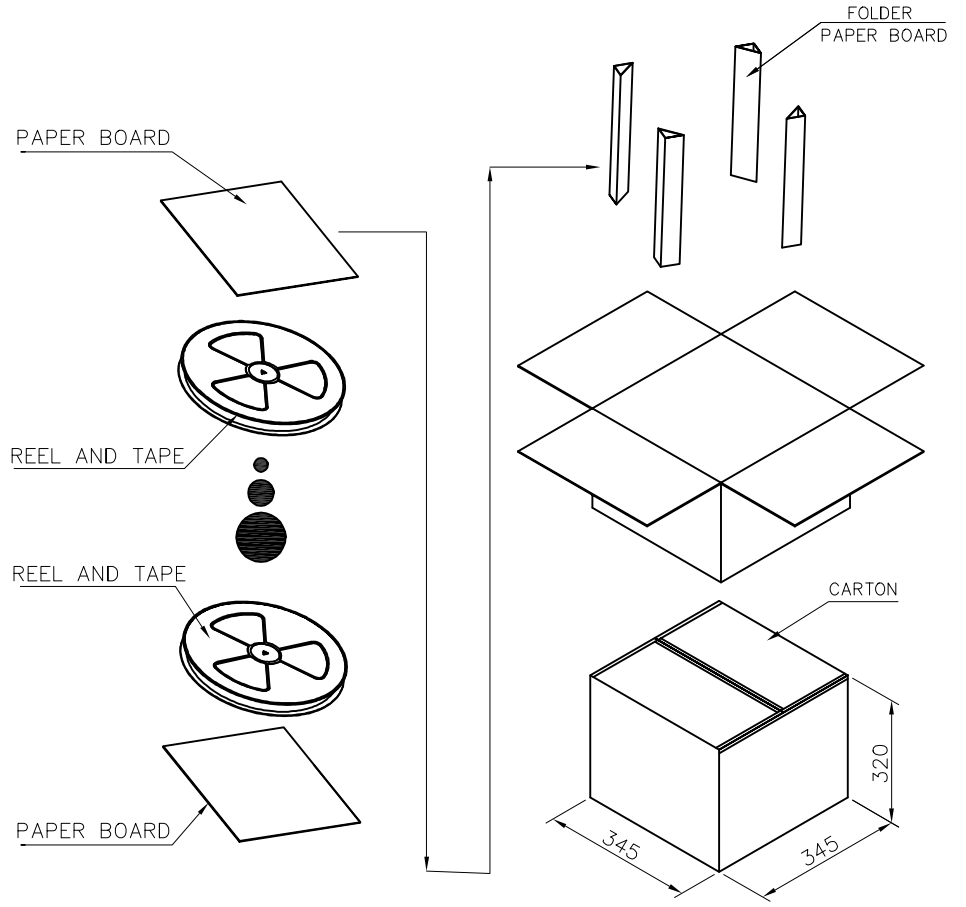
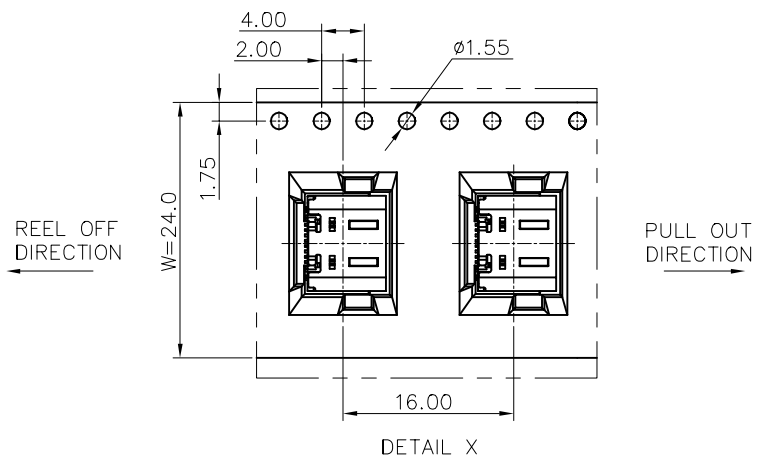
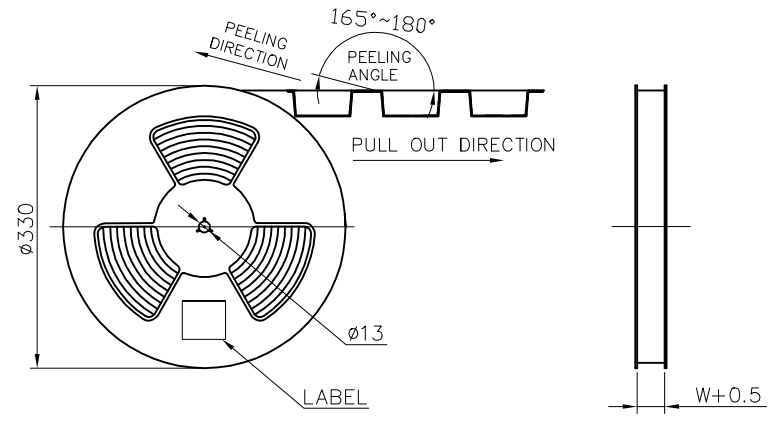
PART NO.: SEE THE PART NUMBER CODE		GOLDCONN TECHNOLOGIES COMPANY LIMITED		DRAWN BY SAM	DATE 2021.06.17
QUALITY SYMBOL 0	GENERAL TOLERANCES (UNLESS SPECIFIED)		TITLE USB CF 16PIN (L=7.35)WITH POST 外壳带弹片		
	x.xxxx	±	---	DWG.NO. CF146-16-01	SHEET NO. 2 OF 3
	x.xxx	±	0.10		
	x.xx	±	0.25	DIMENSION STYLE MM ONLY	DESIGN UNITS METRIC
	x.x	±	0.30		
ANGULAR	±	---	APPROVED BY JACKY		
			DATE 2021.06.17		
			THIRD ANGLE PROJECTION		

RoHS Compliant

REV	ECN No.	DATE	REMARK
A0	NEW	2019.01.10	NEW RELEASE
B	ECN202106001	2021.06.05	增加脚长1.2 规格
C	---	2021.06.17	增加本色和白色规格区分



SEE DETAIL X



	REEL	CARTON
CONNECTOR (PCS)	800	8000

PART NO.: SEE THE PART NUMBER CODE		GOLDCONN TECHNOLOGIES COMPANY LIMITED		DRAWN BY SAM	DATE 2021.06.17
GENERAL TOLERANCES (UNLESS SPECIFIED)		TITLE USB CF 16PIN (L=7.35)WITH POST 外壳带弹片		CHECKED BY JAY	DATE 2021.06.17
x.xxxx	± ---	DWG.NO. CF146-16-01	SHEET NO. 3 OF 3	APPROVED BY JACKY	DATE 2021.06.17
x.xxx	± 0.10	DIMENSION STYLE MM ONLY	DESIGN UNITS METRIC	SCALE 1:1	THIRD ANGLE PROJECTION
x.xx	± 0.25				
x.x	± 0.30				
ANGULAR	± ---°				

frame size: A4