

NOTE:

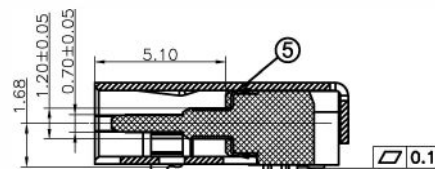
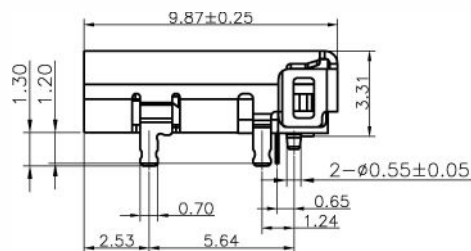
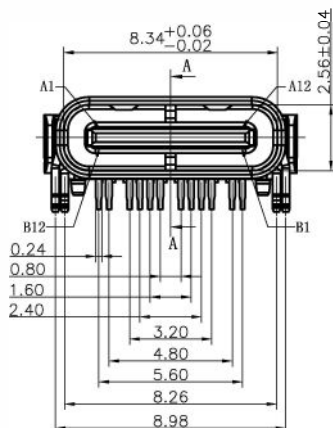
- Electrical Characteristics:
 - 1-1: Current Rating: 5A For Pin(A4,A9,B4,B9)
1.25A For Pin(B5)
0.25A For Others Pin
 - 1-2: VOLTAGE RATING:5.0V
 - 1-3: Insulation Resistance: 100MΩ Min.
 - 1-4: Contact Resistance:
VBUS & GND PINS AND OTHER PINS: 40mΩ/PIN MAX.
SHIELD:50mΩ/MAX.
SHIELD:LLCR MAX. CHANGE OF ALL PINS: 10mΩ.
 - 1-5: Dielectric Withstanding Voltage: 100V/AC 1Minute
- Mechanical Characteristics:
 - Insertion Force: 5~20N
 - Extraction Force: Initial: 8~20N
 - After durability: 6~20N
 - Durability :10000 Cycles
- Operating Temperature: -25°C TO +85°C
- PART NUMBER CODE:
CF170-24 S L B XX XX - 02
(1)(2) (3)

(1) HOUSING COLOR:
B:BLACK

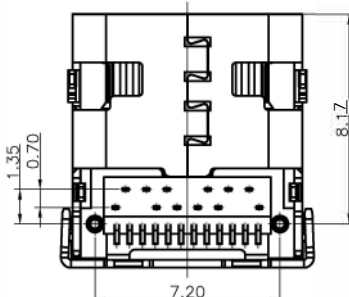
(2) CONTACTS PLATED:

- Au 3u" PLATED ON THE FUNCTIONAL AREA OF CONTACT. PLATING SPECIFICATIONS OF THE SOLDER AREA FOLLOW G/F
- Au 15u" PLATED ON THE FUNCTIONAL AREA OF CONTACT. PLATING SPECIFICATIONS OF THE SOLDER AREA FOLLOW G/F
- Au 30u" PLATED ON THE FUNCTIONAL AREA OF CONTACT. PLATING SPECIFICATIONS OF THE SOLDER AREA FOLLOW G/F

(3) PACKING OPTIONS:
R:TAPE & REEL
VR: TAPE & REEL+ 真空包装 (专用客户指定包装)



SECTION A-A
SCALE 1:1



TYPE:

NO.	DESCRIPTION	MATERIAL	REMARKS	QTY
6	SHELL	SUS304 1/2H T=0.30mm	NICKEL 30u" MIN PLATING	1PCS
5	EMI	SUS304 1/2H T=0.10mm	CLEAR ONLY	2PCS
4	SHIELDING PLATE	SUS301 3/4H T=0.15mm	CLEAR ONLY	1PCS
3	SMT CONTACT	C18400-H T=0.12mm	IF 50u" MIN. UNDER PLATED OVER ALL Au 3u" PLATED ON THE FUNCTIONAL AREA OF CONTACT. PLATING GF OF THE SOLDER AREA	1SET
2	DIP CONTACT	C18400-H T=0.12mm	IF 50u" MIN. UNDER PLATED OVER ALL Au 3u" PLATED ON THE FUNCTIONAL AREA OF CONTACT. PLATING GF OF THE SOLDER AREA	1SET
1	HOUSING	LCP UL94V-0	BLACK	1PCS

PART NO.: SEE THE PART NUMBER CODE		GOLDCONN TECHNOLOGIES COMPANY LIMITED		DRAWN BY SAM	DATE 2021.06.21
TITLE USB C F TYPE 24PIN DIP+SMT CONN		DWGNO. CF170-24-02		CHECKED BY JAY	DATE 2021.06.21
SHEET NO. 1 OF 2		APPROVED BY JACKY		DATE 2021.06.21	
DIMENSION STYLE MM ONLY		DESIGN UNITS METRIC		SCALE 1:1	
THIRD ANGLE PROJECTION		frame size: A4			

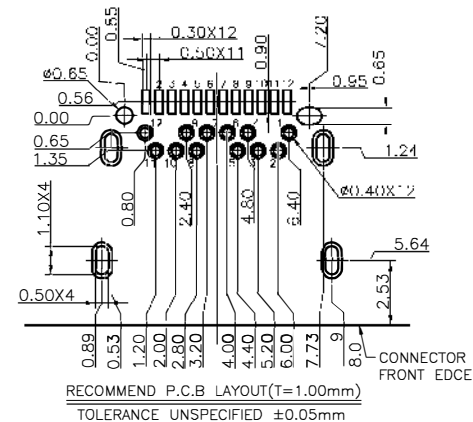
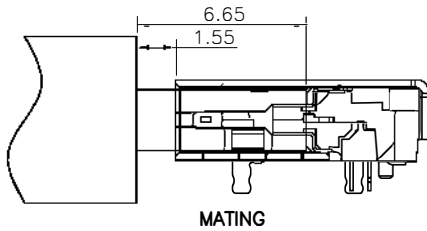
QUALITY SYMBOL

0	GENERAL TOLERANCES (UNLESS SPECIFIED)	
x.xxxxx	±	---
x.xxx	±	0.10
x.xx	±	0.25
x.x	±	0.30
ANGULAR	±	---

THIRD ANGLE PROJECTION

RoHS Compliant

REV	ECN No.	DATE	REMARK
A	NEW	2017.10.05	NEW RELEASE



USB TYPE-C PIN ASSIGNMENTS

PIN NUMBER	SIGNAL NAME	PIN NUMBER	SIGNAL NAME
A1	GND	B12	GND
A2	SSTXp1	B11	SSRXp1
A3	SSTXn1	B10	SSRXn1
A4	VBUS	B9	VBUS
A5	CC1	B8	SBU2
A6	Dp1	B7	Dn2
A7	Dn1	B6	Dp2
A8	SBU1	B5	CC2
A9	VBUS	B4	VBUS
A10	SSRXn2	B3	SSTXn2
A11	SSRXp2	B2	SSTXp2
A12	GND	B1	GND

PART NO.: SEE THE PART NUMBER CODE		GOLDCONN TECHNOLOGIES COMPANY LIMITED		DRAWN BY SAM	DATE 2021.06.21
GENERAL TOLERANCES (UNLESS SPECIFIED)		TITLE USB C F TYPE 24PIN DIP+SMT CONN		CHECKED BY JAY	DATE 2021.06.21
QUALITY	BOL	x.xxxx	± ---	APPROVED BY JACKY	DATE 2021.06.21
SYM	0	x.xxx	± 0.10	SHEET NO. 2 OF 2	
0	0	x.xx	± 0.25	SCALE 1:1	
0	0	x.x	± 0.30	THIRD ANGLE PROJECTION	
0	0	ANGULAR	± ---°	frame size: A4	
DWG.NO. CF170-24-02		DIMENSION STYLE MM ONLY		DESIGN UNITS METRIC	