

RoHS Compliant

REV	ECN No.	DATE	REMARK
A0	NEW	2019.11.20	NEW RELEASE
B	ECN202105002	2021.05.06	增加真空包装料号规格

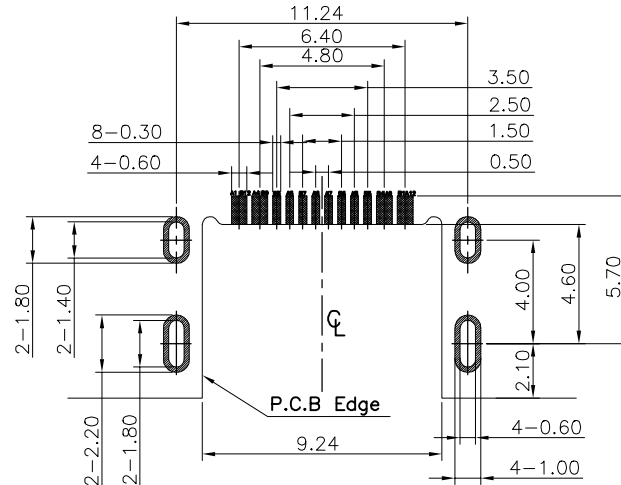
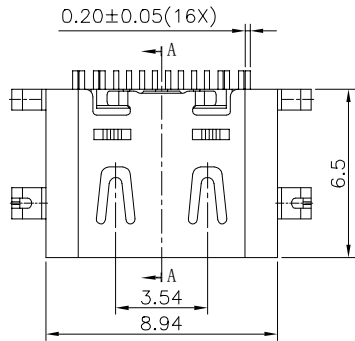
NOTE:

- Electrical Characteristics:
 - 1-1: Current Rating: 5A For Pin(A4,A9,B4,B9)
1.25A For Pin(B5)
0.25A For Others Pin
 - 1-2: VOLTAGE RATING:5.0V
 - 1-3: Insulation Resistance: 100MΩ Min.
 - 1-4: CONTACT RESISTANCE:
VBUS & GND PINS AND OTHER PINS: 40mΩ/PIN MAX.
SHIELD:50mΩ/MAX.
SHIELD:LLCR MAX. CHANGE OF ALL PINS: 10mΩ.
 - 1-5: Dielectric Withstanding Voltage: 100V/AC 1Minute
- Mechanical Characteristics:
 - Insertion Force: 5~20N
 - Extraction Force: Initial: 8~20N
After durability: 6~20N
 - Durability :10000 Cycles
- Operating Temperature: -25°C TO +85°C

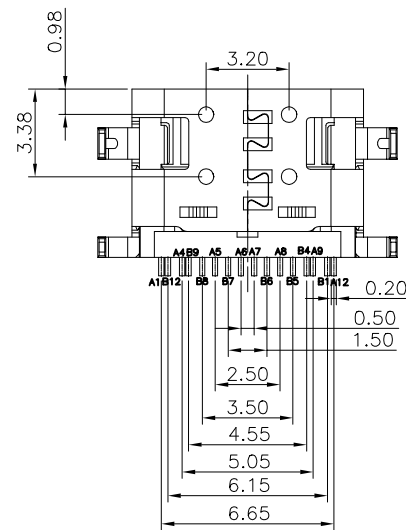
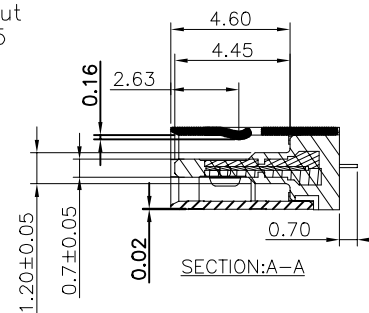
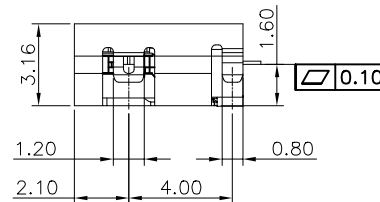
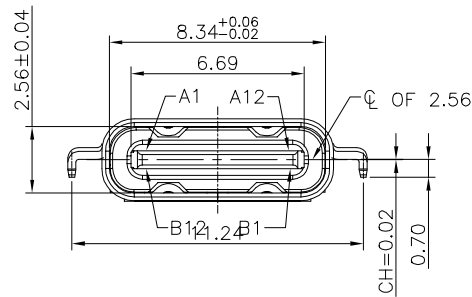
4. PART NUMBER CODE:(产品料号)

C F178 - 16 S L B XX XX - 01
(1) (2) (3) (4)

- (1) HOUSING MATERIAL:
L:LCP
- (2) HOUSING COLOR:
B:BLACK
- (3) CONTACTS PLATED:
12:接触镀金3u*其它GF
15:接触镀金30u*焊接区域镀金1u*
- (4) PACKING OPTIONS
R:卷装(常用料)
VR:卷装+真空包装(专用客户指定包规)



Recommended PCB Layout
General Tolerance ±0.05



PIN ASSIGNMENT			
PIN NUMBER	SIGNAL NAME	PIN NUMBER	SIGNAL NAME
A1	GND	B12	GND
A2	TX2+	B11	RX1+
A3	TX2-	B10	RX1-
A4	VBUS	B9	VBUS
A5	CCI	B8	SBU2
A6	D+	B7	D-
A7	D-	B6	D+
A8	SBU1	B5	CC2
A9	VBUS	B4	VBUS
A10	TX2+	B3	TX2-
A11	TX2-	B2	TX2+
A12	GND	B1	GND

TYPE:

NO.	DESCRIPTION	MATERIAL	REMARKS	QTY
4	SHELL	SUS304 1/2H T=0.30mm	NICKEL 30u" MIN PLATING	1PCS
3	SHIELDING PLATE	SUS301 3/4H T=0.15mm	---	1PCS
2	CONTACT	C18400-H T=0.12mm	NI 50u" MIN. UNDER PLATED OVER ALL Au PLATED ON THE FUNCTIONAL AREA OF CONTACT. PLATING G/F OF THE SOLDER AREA	2SET
1	HOUSING	LCP UL94V-0	BLACK	1PCS

PART NO.: SEE THE PART NUMBER CODE		GOLDCONN TECHNOLOGIES COMPANY LIMITED		DRAWN BY SAM	DATE 2021.05.06
GENERAL TOLERANCES (UNLESS SPECIFIED)		TITLE USB CF 16PIN (L=6.5) 沉板1.6外壳带弹片款		CHECKED BY JAY	DATE 2021.05.06
QUALITY SYMBOL	0	DWG.NO. CF178-16-01	SHEET NO. 1 OF 1	APPROVED BY JACKY	DATE 2021.05.06
0	0	DIMENSION STYLE MM ONLY	DESIGN UNITS METRIC	THIRD ANGLE PROJECTION	
0	0	SCALE 1:1	frame size: A4		