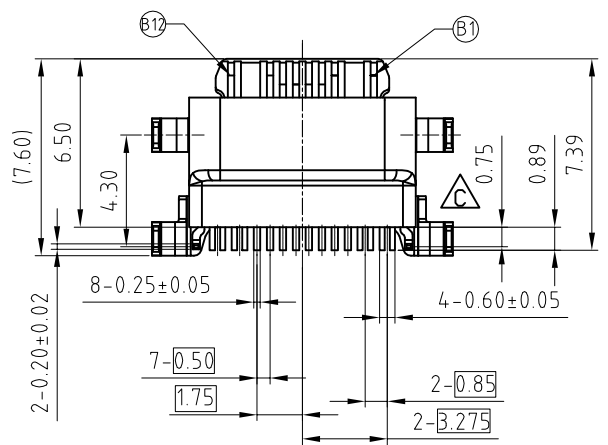
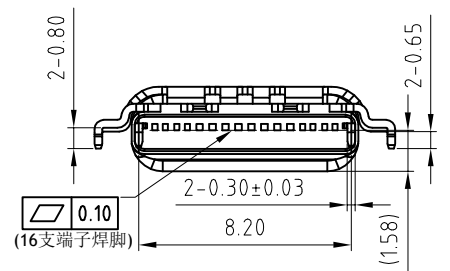
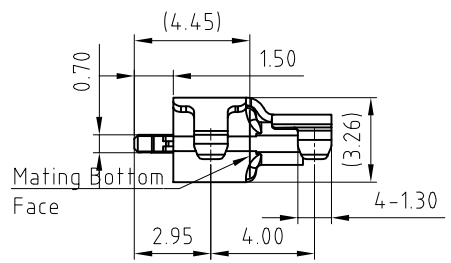
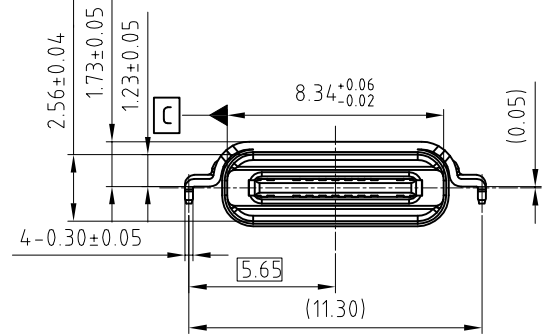
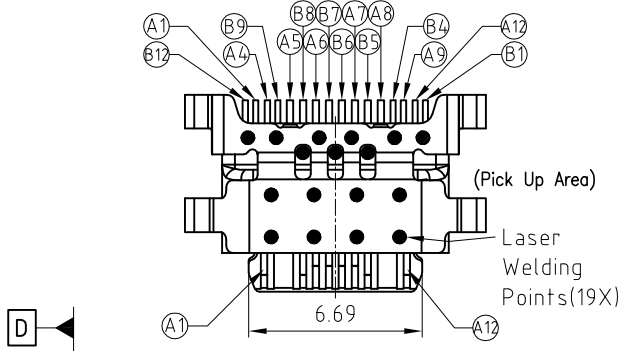


RoHS Compliant

REV	ECN No.	DATE	REMARK
A0	NEW	2018.07.23	NEW RELEASE
B		2021.08.10	修改图纸底部焊点与实物相符
C		2021.10.25	取消底部5焊点



- NOTES:
- MATERIAL SPECIFICATION:
 - HOUSING: High-Temp Plastics, UL94V-0, Color: Black.
 - CONTACTS: Copper Alloy T=0.25mm.
 - OUTER SHELL: Stainless Steel, T=0.30mm.
 - INNER SHELL: Stainless Steel, T=0.20mm.
 - MID-PLATE: Stainless Steel, T=0.20mm.
 - SOLDER-PLATE: Stainless Steel, T=0.10mm.
 - PLATING SPECIFICATION:
 - CONTACTS: Ni UNDERPLATED OVER ALL; Gold Plated On Contact Area; Gold Flash Plated On Solder Area.
 - SHELL: Ni UNDERPLATED OVER ALL; Gold Flash Plated On Solder Leg.
 - RoHS AND HF COMPLIANT.
 - MECHANICAL PERFORMANCE:
 - MATING FORCE: 6~20N(Initial); 5~20N(After)
 - UNMATING FORCE: 8~20N(Initial); 6~20N(After)
 - DURABILITY: 10000 CYCLES.
 - ELECTRICAL PERFORMANCE:
 - CURRENT RATING: 3.0A; VOLTAGE RATING: 5.0V
 - LLCR:
 - VBUS & GND PINS: 40mΩ/PIN MAX.;
 - OTHERS PINS: 40mΩ/PIN MAX.;
 - LLCR MAX. CHANGE OF ALL PINS: 10mΩ.
 - INSULATION RESISTANCE: 100MΩ MIN.
 - DIELECTRIC WITHSTANDING VOLTAGE: 100V AC FOR 1 MINUTE.
 - ENVIRONMENTAL PERFORMANCE:
 - OPERATING TEMPERATURE: -20°C~+85°C.
 - RECOMMENDED PROCESS:
 - THE PEAK TEMPERATURE ON THE BOARD SHALL MAINTAIN 10±1 SECONDS AT 260±5°C.

8. PART NUMBER CODE:
 CF192-16SL B 11 R-D3
 (1) (2)

(1) HOUSING COLOR:
 B: BLACK

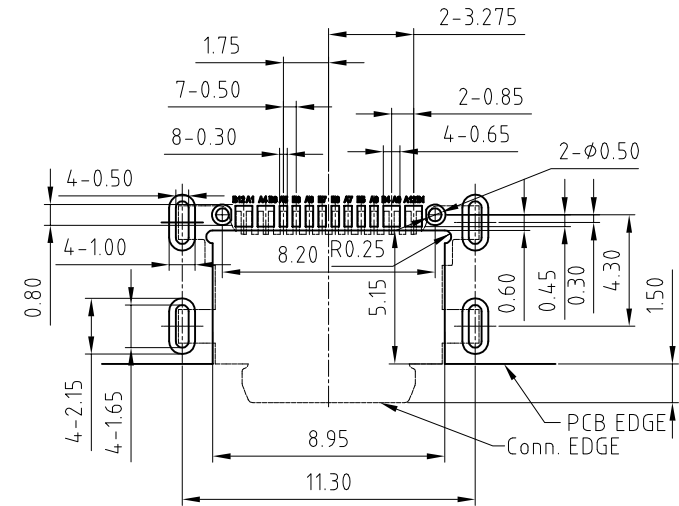
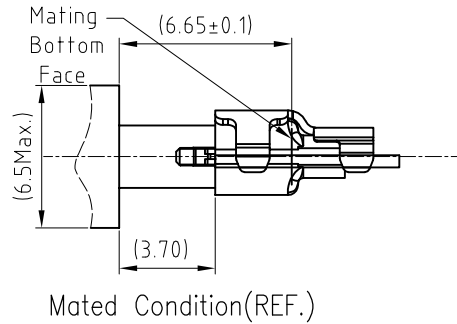
(2) CONTACTS PLATED:
 11: 镀金1u”

PART NO.: SEE THE PART NUMBER CODE		GOLDCONN TECHNOLOGIES COMPANY LIMITED		DRAWN BY SAM	DATE 2021.10.25
GENERAL TOLERANCES (UNLESS SPECIFIED)		TITLE USB Type-C 母 16pin 沉板 1.58 防水型 IPX4, 外露 1.5		CHECKED BY JAY	DATE 2021.10.25
QUALITY SYMBOL 0	x.xxxx	±	---	DWG.NO. CF192-16-D3	SHEET NO. 1 OF 3
	x.xxx	±	0.10		
	x.xx	±	0.25		
	x.x	±	0.30		
	ANGULAR	±	---		
DIMENSION STYLE MM ONLY	DESIGN UNITS METRIC	SCALE 1:1	APPROVED BY JACKY		
DATE 2021.10.25					
				THIRD ANGLE PROJECTION	

frame size: A4

RoHS Compliant

REV	ECN No.	DATE	REMARK
A0	NEW	2018.07.23	NEW RELEASE
B		2021.08.10	修改图纸底部焊点与实物相符
C		2021.10.25	取消底部5焊点



RECOMMENDED PCB LAYOUT
TOLERANCE:±0.05
(建议使用刷Sn钢板厚度0.12mm)

Pin Assignments

Contact Number	Signal Name	Contact Number	Signal Name
A1	GND	B12	GND
A4	VBUS	B9	VBUS
A5	CC1	B8	SBU2
A6	Dp1	B7	Dn2
A7	Dn1	B6	Dp2
A8	SBU1	B5	CC2
A9	VBUS	B4	VBUS
A12	GND	B1	GND

PART NO.: SEE THE PART NUMBER CODE		GOLDCONN TECHNOLOGIES COMPANY LIMITED		DRAWN BY SAM	DATE 2021.10.25
GENERAL TOLERANCES (UNLESS SPECIFIED)		TITLE USB Type-C 母 16pin 沉板1.58 防水型IPX4, 外露1.5		CHECKED BY JAY	DATE 2021.10.25
QUALITY SYMBOL	0	x.xxxxx	± ---	DWG.NO. CF192-16-D3	SHEET NO. 1 OF 3
	0	x.xxx	± 0.10	APPROVED BY JACKY	DATE 2021.10.25
	0	x.xx	± 0.25	DIMENSION STYLE MM ONLY	SCALE 1:1
	0	x.x	± 0.30	DESIGN UNITS METRIC	THIRD ANGLE PROJECTION
	0	ANGULAR	± ---	frame size: A4	

RoHS Compliant

REV	ECN No.	DATE	REMARK
A0	NEW	2018.07.23	NEW RELEASE
B		2021.08.10	修改图纸底部焊点与实物相符
C		2021.10.25	取消底部5焊点

Notes:

1.Quantity/Reel:1500pcs/Reel

数量/卷:1500pcs/卷

Quantity/OuterCarton:1500 *10=15000 pcs

数量/外箱:1500 *10=15000 pcs

2.Weight:

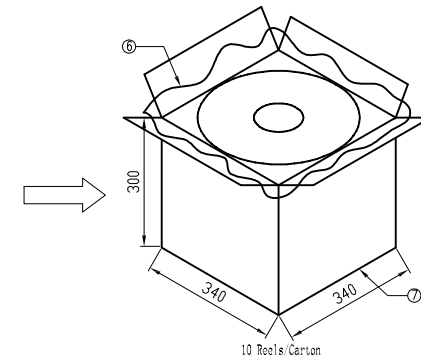
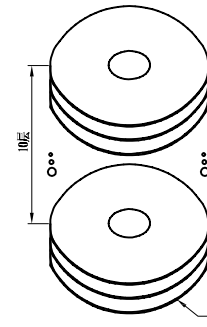
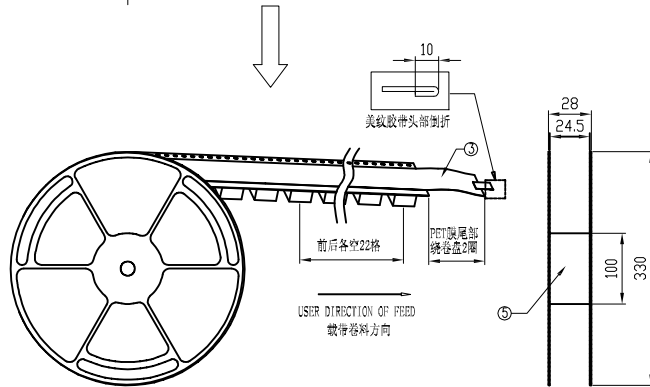
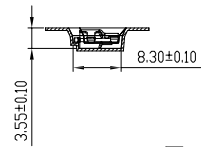
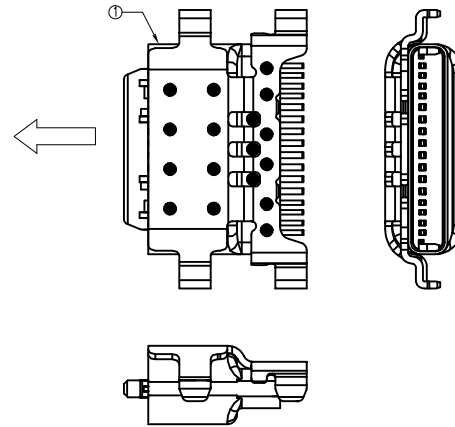
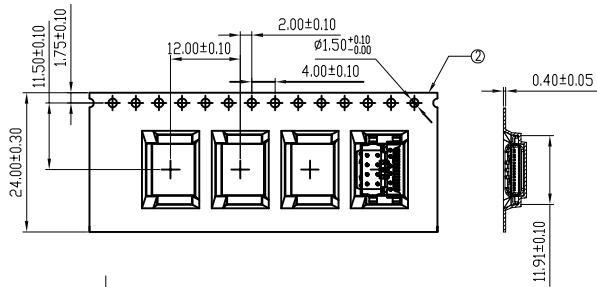
N.W:7.2Kg G.W:11.9±0.5Kg

净重:7.2Kg 毛重:11.9±0.5Kg

3.Free 22 pcs Products In the Front Carrier And

Free 22 pcs Products In the End Carrier.

载带前后各空22格。



⑦	Outer Carton	1	K=K	34*34*30cm³	90001
⑥	PE Bag	1	PE	(400+250)*800*0.06mm	92003
⑤	Plastic Axle	10	PS	Color:Blue	99001
④	Plastic Tray	20	PS	t=1.75mm,Color:Blue	
③	Cover Tape	20.602m	PET	t=0.08mm,W=21.3mm	98001
②	Carrier Tape	18.528m	Transparent PS	t=0.40mm	P-0001-078
①	Product	1500			LS-U323104-152、159
NO.	PART NAME	Q'TY	MATERIAL	REMARKS	PART NO.

PART NO.:
SEE THE PART NUMBER CODE

GOLDCONN TECHNOLOGIES COMPANY LIMITED

DRAWN BY: SAM
DATE: 2021.10.25

QUALITY SYMBOL	GENERAL TOLERANCES (UNLESS SPECIFIED)	
	x.xxxxx	± ---
	x.xxx	± 0.10
	x.xx	± 0.25
	x.x	± 0.30
ANGULAR	± ---°	

TITLE		SHEET NO.	
USB Type-C 母 16pin 沉板1.58 防水型TPX4, 外露1.5		3 OF 3	
DWG.NO. CF192-16-D3		SCALE 1:1	
DIMENSION STYLE	DESIGN UNITS	THIRD ANGLE PROJECTION	
MM ONLY	METRIC		

CHECKED BY: JAY
DATE: 2021.10.25

APPROVED BY: JACKY
DATE: 2021.10.25