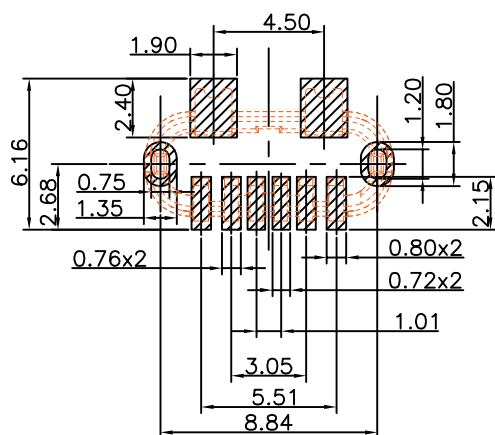
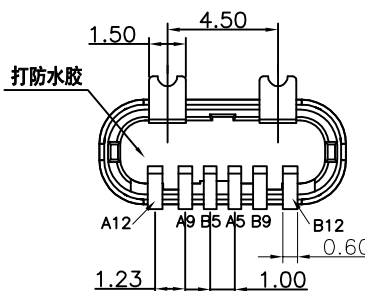
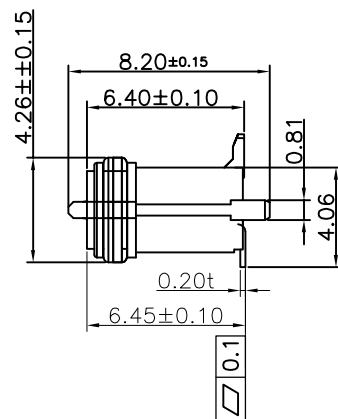
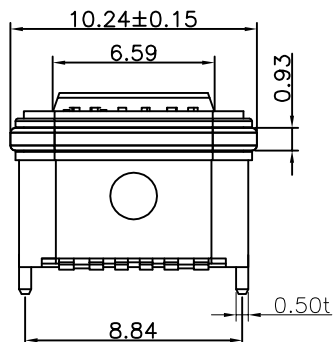
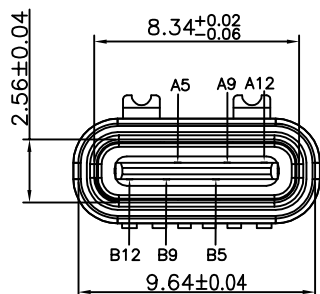
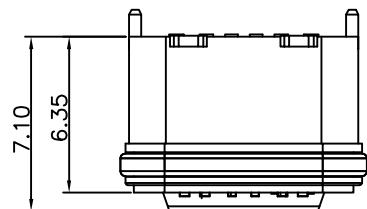
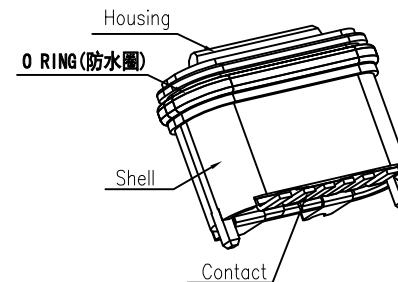


RoHS Compliant 

REV	ECN No.	DATE	REMARK
A0	NEW	2016.08.18	NEW RELEASE



PCB LAYOUT 图仅供参考
PBC建议厚度0.8mm



Note:

1. Material:

- 1.1 Housing: PA9T UL94V-0
- 1.2 Contact: C5191, t=0.20mm; 接触区域金1U, 焊接区镀锡50u''Min, 镍底30UMIN
- 1.3 Shell: Kirsite ; 雾锡50u''Min, 镍底30u''Min
- 1.4 O RING(防水圈) : 硅胶(Silica Gel)
- 1.5 waterproof glue(防水胶): 环氧树脂 (Epoxy)
- 1.6 Cap: PA9T

2. ELECTRICAL:

- 2-1: CURRENT RATING: 3.0A
- 2-2: INITIAL CONTACT RESISTANCE :40 MEGOHMS
- 2-3: DIELECTRIC WITHSTANDING VOLTAGE: 100V AC MIN;

3: MECHANICAL CHARACTERISTICS:

- 3-1: MATING FORCE: 5~20N
- 3-2: UNMATING FORCE: 8~20N(INITIAL), 6~20N(AFTER 10000 CYCLES)
- 3-3: FREQUENCY: 200±50 CYCLES /HOUR, 10000 CYCLES
- 3-4: OPERATING TEMPERATURE ; -40~80°.

4: WATERPROOF: IP-X7.

5. PART NUMBER CODE:
CF197-06 S C B XX R - 22
(1)(2)

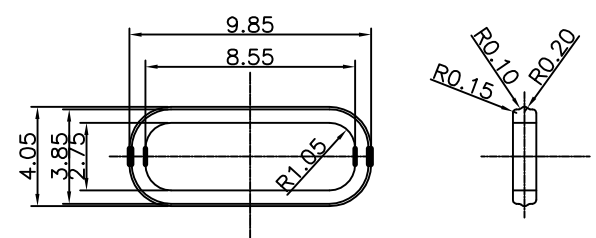
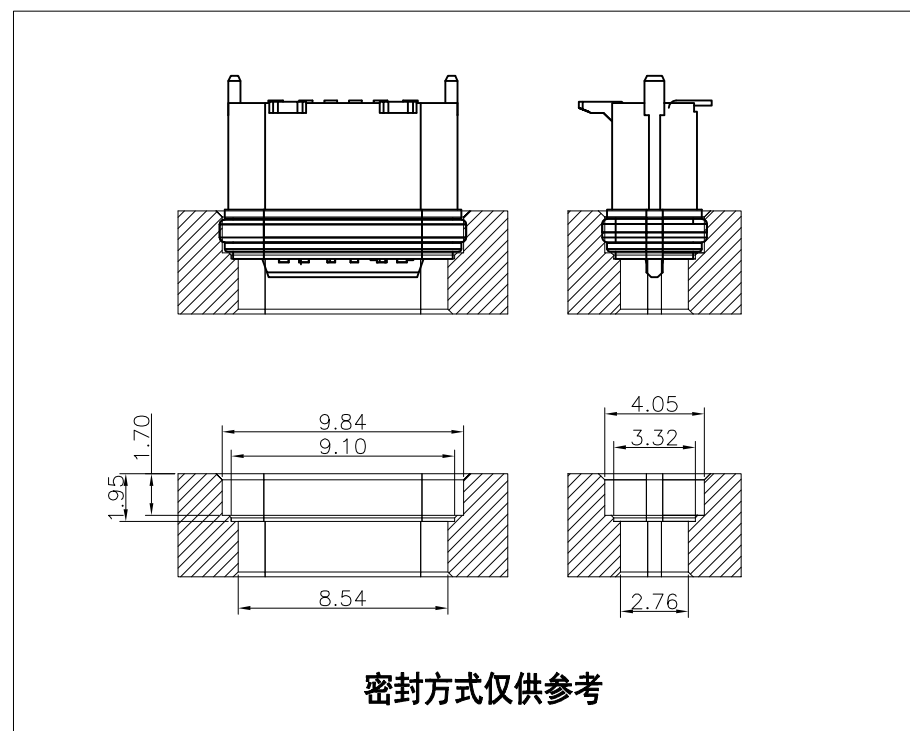
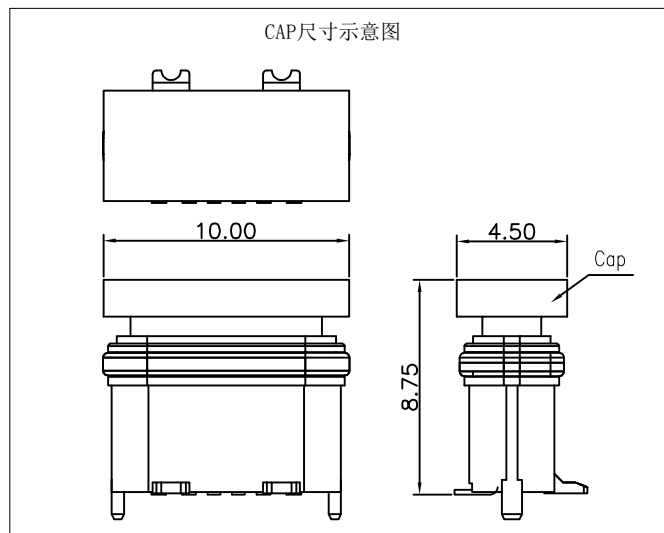
(1) HOUSING: (2) CONTACTS PLATED:
B: BLACK 01: 半金锡1u''

TABLE:

A5	CC1	B12	GND
A9	VBUS	B9	VBUS
A12	GND	B5	CC2
PIN	SIGNAL NAME	PIN	SIGNAL NAME

PART NO.: SEE THE PART NUMBER CODE		GOLDCONN TECHNOLOGIES COMPANY LIMITED		DRAWN BY SAM	DATE 2016.08.18
GENERAL TOLERANCES (UNLESS SPECIFIED)		TITLE TYPE C 6PIN 直立式 防水型		CHECKED BY JAY	DATE 2016.08.18
QUALITY SYMBOL	x.xxxx	DWG.NO. CF197-06-22		APPROVED BY JACKY	DATE 2016.08.18
0	x.xxx	SHEET NO. 1 OF 2		THIRD ANGLE PROJECTION	
0	x.xx	SCALE 1:1		frame size: A4	
0	x.x	DIMENSION STYLE MM ONLY		DESIGN UNITS METRIC	
0	ANGULAR	SCALE		1:1	

REV	ECN No.	DATE	REMARK
A0	NEW	2016.08.18	NEW RELEASE



PART NO.: SEE THE PART NUMBER CODE		GOLDCONN TECHNOLOGIES COMPANY LIMITED		DRAWN BY SAM	DATE 2016.08.18
QUALITY SYMBOL 0 0 0 0 0	GENERAL TOLERANCES (UNLESS SPECIFIED)		TITLE TYPE C 6PIN 直立式 防水型		
	x.xxxxx	±	---	CHECKED BY JAY	
	x.xxx	±	0.10	DATE 2016.08.18	
	x.xx	±	0.25	APPROVED BY JACKY	
	x.x	±	0.30	DATE 2016.08.18	
ANGULAR	±	---	DWG.NO. CF197-06-22	SHEET NO. 2 OF 2	
	DIMENSION STYLE MM ONLY	DESIGN UNITS METRIC	SCALE 1:1	THIRD ANGLE PROJECTION	