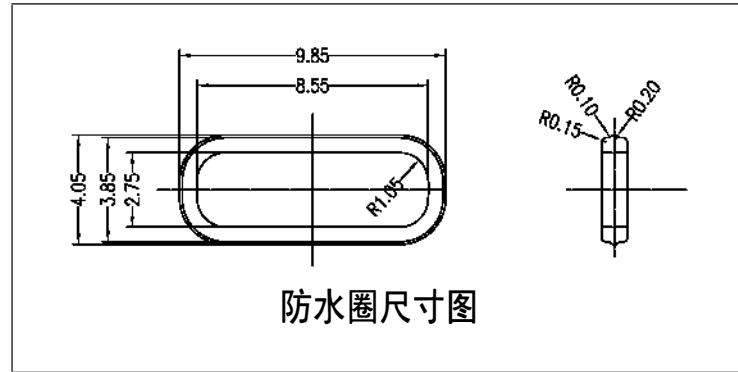
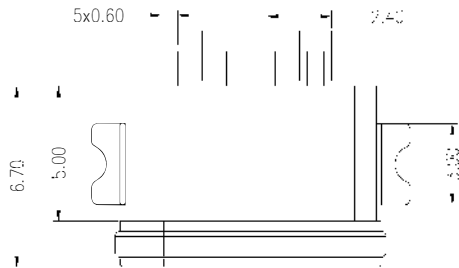
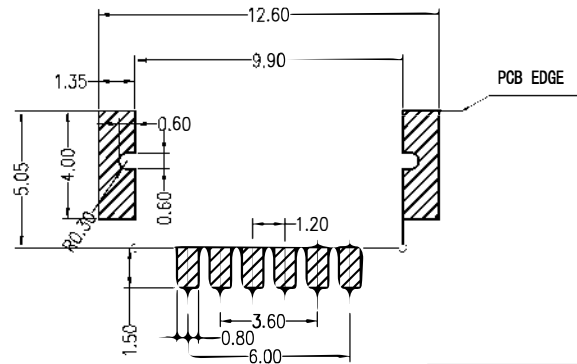
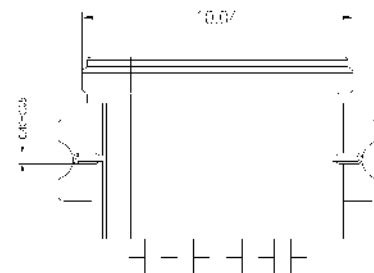
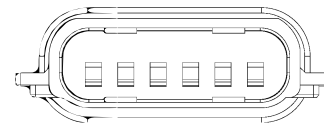
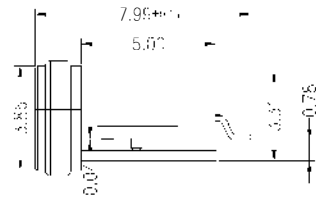
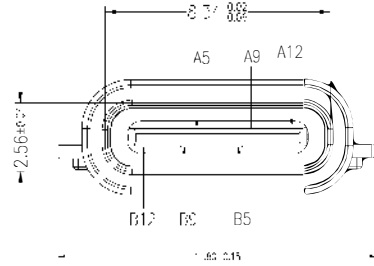


RoHS Compliant 

REV	ECN No.	DATE	REMARK
A0	NEW	2015.05.10	NEW RELEASE



防水圈尺寸图



PCB LAYOUT 图仅供参考

- Note:
- Material:
    - Housing: PA9T
    - Contact: C7025, t=0.20mm
    - Shell: Kirsite
  - ELECTRICAL:
    - CURRENT RATING: 3A
    - INITIAL CONTACT RESISTANCE :40 MEGOHMS
    - DIELECTRIC WITHSTANDING VOLTAGE: 100V AC MIN;
  - MECHANICAL CHARACTERISTICS:
    - MATING FORCE: 5~20N
    - UNMATING FORCE: 8~20N (INITIAL), 6~20N (AFTER 10000 CYCLES)
    - FREQUENCY: 200±50 CYCLES /HOUR, 10000 CYCLES
    - OPERATING TEMPERATURE ; -40°~80°.
  - WATERPROOF: IP-X7.

5. PART NUMBER CODE:

CF198-06 S C B 01 R - 22

① ②

- ① HOUSING: B:BLACK      ② CONTACTS PLATED: 01:半金锡1u"

TABLE:

A5	CC1	B12	GND
A9	VBUS	B9	VBUS
A12	GND	B5	CC2
PIN	SIGNAL NAME	PIN	SIGNAL NAME

PART NO.: SEE THE PART NUMBER CODE		GOLDCONN TECHNOLOGIES COMPANY LIMITED		DRAWN BY SAM	DATE 2015.05.10
GENERAL TOLERANCES (UNLESS SPECIFIED)		TITLE TYPE C 6PIN 沉板0.8 防水型		CHECKED BY JAY	DATE 2015.05.10
QUALITY SYMBOL	0	x.xxxx	± ---	APPROVED BY JACKY	DATE 2015.05.10
	0	x.xxx	± 0.10	SHEET NO. 1 OF 1	
	0	x.xx	± 0.25	SCALE 1:1	
	0	x.x	± 0.30	DIMENSION STYLE MM ONLY	
	0	ANGULAR	± ---	DESIGN UNITS METRIC	
		DWG. NO. CF198-06-22		THIRD ANGLE PROJECTION	