

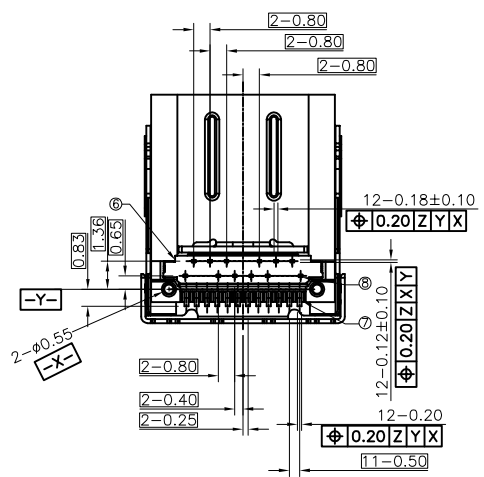
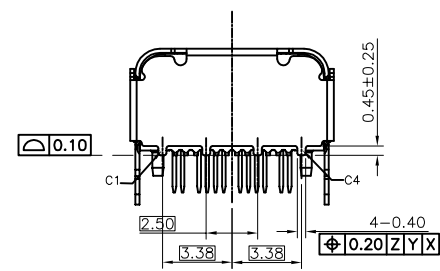
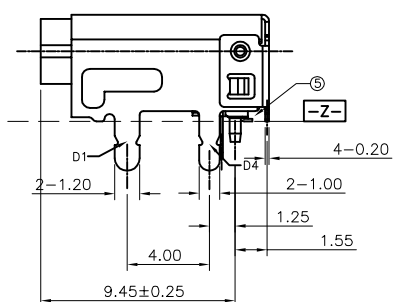
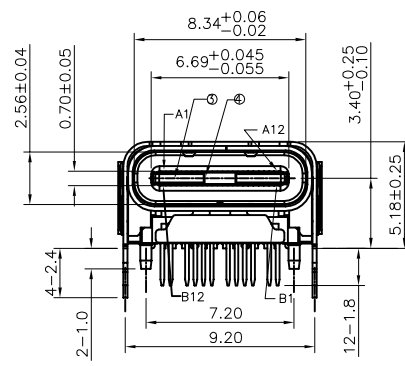
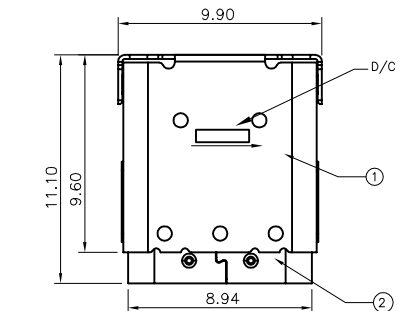
NOTES :

- ELECTRICAL CHARACTERISTIC:
 - CONTACT CURRENT RATING:
VBUS AND GND CONTACTS RATED AT 1.25A EA., PARALLELED FOR A TOTAL OF 5A.
 - LOW LEVEL CONTACT RESISTANCE:
40 MILLIOHMS MAX. FOR VBUS ,GND AND OTHER CONTACTS. 50 MILLIOHMS MAX. AFTER ENVIRONMENT TEST.
 - DIELECTRIC WITHSTANDING VOLTAGE: 100VAC (RMS)MIN.
 - INSULATION RESISTANCE: 100 MEGOHMS MIN.
- MECHANICAL CHARACTERISTIC:
 - INSERTION FORCE: 5~20N .
 - EXTRACTION FORCE: 8~20 N UP TO 1,000 MATING CYCLES, 6~20 N AFTER 1000 DURABILITY CYCLES.
 - DURABILITY: 10000 CYCLES.
 - OPERATING TEMPERATURE: -55°C ~ +85°C.
- MEET USB TYPE C STANDARD SPECIFICATION.
- DIMENSIONS ARE IN MILLIMETERS, BRACKETED DIMENSIONS ARE INCHES EQUIVALENTS.
- RECOMMENDED PROCESS: IR REFLOW 260°C, 10SECONDS.
- THE CONNECTOR COMPLIANT TO ROHS AND HALOGEN FREE .
- THE CONNECTOR It conforms to the high frequency characteristic requirements of GNE2(10G) .

8.PART NUMBER CODE:(产品料号)

CF210-24 X X XX R-68
(1) (2) (3) (4)

- HOUSING MATERIAL:
L:LCP
- HOUSING COLOR:
B:BLACK
- CONTACTS PLATED:
15:接触镀金30u"其它GF
- PACKING OPTIONS
R:TAPE & REEL

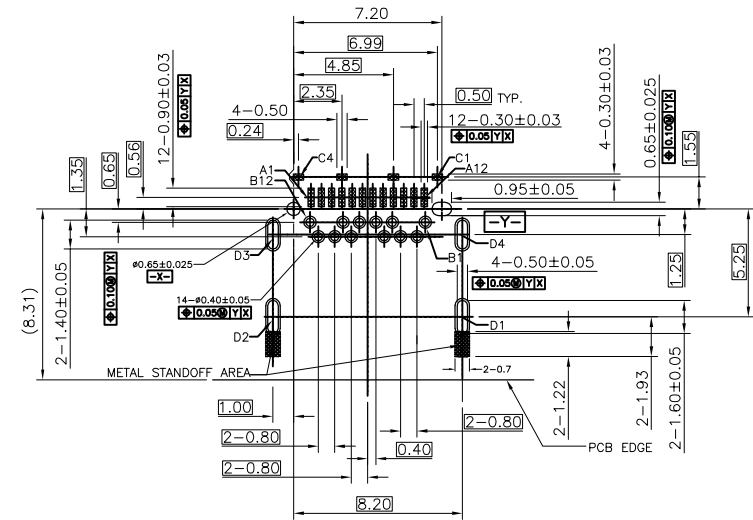
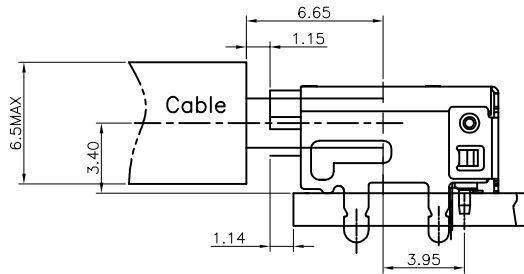


NO.	DESCRIPTION	QTY.	MATERIAL	TREATMENT
⑧	UPPER CONTACT	12	COPPER ALLOY	NICKEL UNDERPLATING OVERALL; SELECTIVE GOLD Plated AT CONTACT AREA; LEAD FREE TIN ALLOY PLATED AT TERMINATION.
⑦	LOWER CONTACT	12	COPPER ALLOY	NICKEL UNDERPLATING OVERALL; SELECTIVE GOLD Plated AT CONTACT AREA; LEAD FREE TIN ALLOY PLATED AT TERMINATION.
⑥	LOWER IM	1	THERMOPLASTIC UL 94V-0	MOLDED COLOR: BLACK.
⑤	UPPER IM	1	THERMOPLASTIC UL 94V-0	MOLDED COLOR: BLACK.
④	CENTER IM	1	THERMOPLASTIC UL 94V-0	MOLDED COLOR: BLACK.
③	SHIELD PLATE	1	STAINLESS STEEL	NICKEL PLATING AT OVER ALL.
②	INNER SHELL	1	STAINLESS STEEL	CLEAN
①	OUTER SHELL	1	STAINLESS STEEL	NICKEL PLATING ONLY AT TAIL, Au AT TABS AND SOLDER TAIL.

PART NO.: SEE THE PART NUMBER CODE		Goldconn Technologies Co., Ltd		DRAWN BY SAM	DATE 2020.09.01
QUALITY SYMBOL		TITLE USB3.1 Type C 24Pin CH3.4 DIP+SMT TYPE FEMALE		CHECKED BY JAY	DATE 2020.09.01
GENERAL TOLERANCES (UNLESS SPECIFIED)		DWG.NO. CF210-24-68		APPROVED BY JACKY	DATE 2020.09.01
x.xxxx	± ---	SHEET NO. 1 OF 2		SCALE 1:1	
x.xxx	± 0.10	DIMENSION STYLE MM ONLY		DESIGN UNITS METRIC	
x.xx	± 0.20	THIRD ANGLE PROJECTION			
x.x	± 0.30	frame size: A4			
ANGULAR	± ---°				

RoHS Compliant 

REV	ECN No.	DATE	REMARK
A	NEW	2020.09.01	NEW RELEASE



RECOMMENDED P.C.B LAYOUT (COMPONENT SIDE)
 PCB THICKNESS: 1.60±0.05[.063±.002]mm
 DEFAULT TOLERANCE: ±0.05[.002]

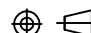
Pin No.	Signal Name	Pin No.	Signal Name
A1	GND	B12	GND
A2	SSTXp1	B11	SSRXp1
A3	SSTXn1	B10	SSRXn1
A4	VBUS	B9	VBUS
A5	CC1	B8	SBU2
A6	Dp1	B7	Dn2
A7	Dn1	B6	Dp2
A8	SBU1	B5	CC2
A9	VBUS	B4	VBUS
A10	SSRXn2	B3	SSTXn2
A11	SSRXp2	B2	SSTXp2
A12	GND	B1	GND

PART NO.:
SEE THE PART NUMBER CODE

Goldconn Technologies Co., Ltd

DRAWN BY SAM **DATE** 2020.09.01

QUALITY SYMBOL	0	GENERAL TOLERANCES (UNLESS SPECIFIED)
	x.xxxxx	± ---
	x.xxx	± 0.10
	x.xx	± 0.20
	x.x	± 0.30
▲	ANGULAR	± ---

TITLE		DRAWN BY	
USB3.1 Type C 24Pin CH3.4 DIP+SMT TYPE FEMALE		SAM	
DWG.NO.		DATE	
CF210-24-68		2020.09.01	
SHEET NO.		APPROVED BY	
2 OF 2		JACKY	
SCALE		DATE	
1:1		2020.09.01	
DIMENSION STYLE		THIRD ANGLE PROJECTION	
MM ONLY			
DESIGN UNITS			
METRIC			

APPROVED BY JACKY **DATE** 2020.09.01