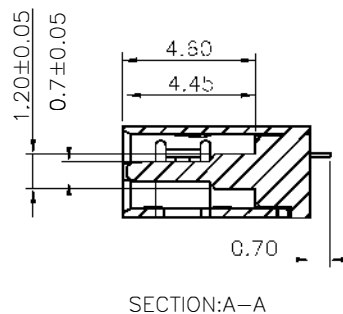
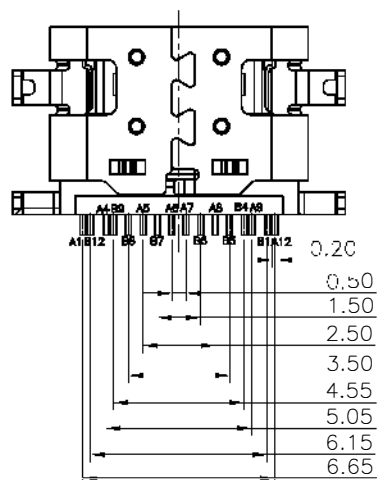
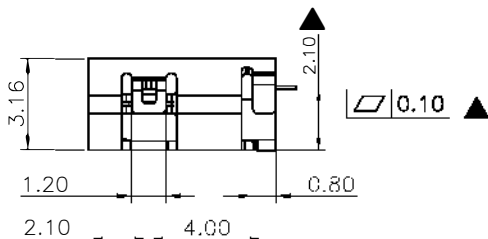
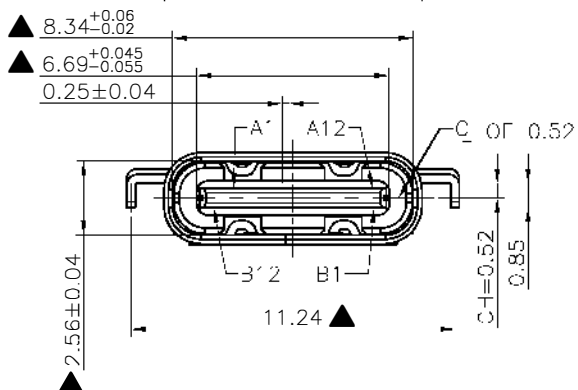
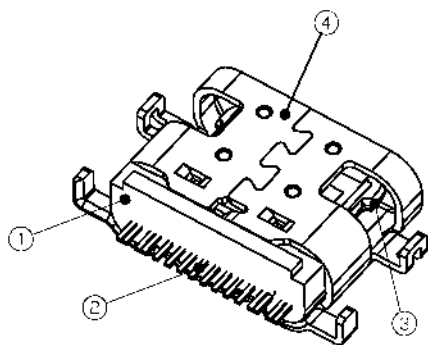
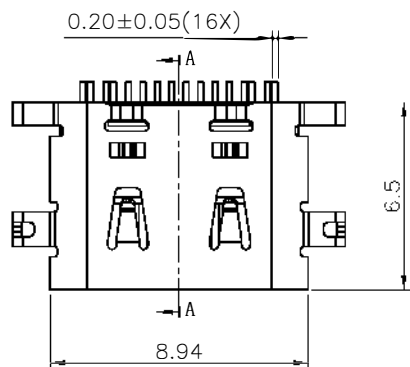


RoHS Compliant

THI

REV	ECN No.	DATE	REMARK
A	NEW	2019.03.20	NEW RELEASE
B	--	2021.06.21	整理图纸



NOTE:

- Electrical Characteristics:
 - 1-1: Current Rating: 5A For Pin(A4,A9,B4,B9)
1.25A For Pin(B5)
0.25A For Others Pin
 - 1-2: VOLTAGE RATING:5.0V
 - 1-3: Insulation Resistance: 100MΩ Min.
 - 1-4: Contact Resistance:
VBUS & GND PINS AND OTHER PINS: 40mΩ/PIN MAX.
SHIELD:50mΩ/MAX.
SHIELD:LLCR MAX. CHANGE OF ALL PINS: 10mΩ.
 - 1-5: Dielectric Withstanding Voltage: 100V/AC 1Minute
 - Mechanical Characteristics:
 - Insertion Force: 5~20N
 - Extraction Force: Initial: 8~20N
 - After durability: 6~20N
 - Durability :10000 Cycles
 - Operating Temperature: -25°C TO +85°C
- 4.注: 带“▲”号的为重点管控尺寸

5. PART NUMBER CODE:(产品料号)

CF215-16 S L B XX X - 01
(1)(2)(3)

- (1) HOUSING COLOR:
B:BLACK
- (2) CONTACTS PLATED:
12:接触镀金3u”焊接区域镀金1u”
- (3) PACKING OPTIONS
R:卷装(常用料)
VR:卷装+真空包装(专用客户指定包规)

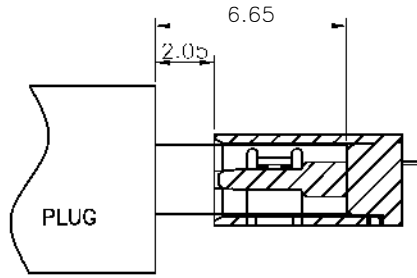
TYPE:

NO.	DESCRIPTION	MATERIAL	REMARKS	QTY
4	SHELL	SUS304 1/2H T=0.30mm	NICKEL 30u” MIN PLATING	1PCS
3	SHIELDING PLATE	SUS301 3/4H T=0.15mm	---	1PCS
2	CONTACT	C18400-H T=0.12mm	N° 50u” MIN. UNDER PLATED OVER ALL Au PLATED ON THE FUNCTIONAL AREA OF CONTACT. PLATING G/F OF THE SOLDER AREA.	2SET
1	HOUSING	LCP UL94V-0	BLACK	1PCS

PART NO.: SEE THE PART NUMBER CODE		GOLDCONN TECHNOLOGIES COMPANY LIMITED		DRAWN BY SAM	DATE 2021.06.21
GENERAL TOLERANCES (UNLESS SPECIFIED)		TITLE USB CF 16PIN (L=6.5) 沉板2.1外壳带弹片		CHECKED BY JAY	DATE 2021.06.21
QUALITY SYMBOL	0	x.xxxxx	± ---	APPROVED BY JACKY	DATE 2021.06.21
	0	x.xxx	± 0.10	SHEET NO. 1 OF 2	
	0	x.xx	± 0.25	SCALE 1:1	
	0	x.x	± 0.30	THIRD ANGLE PROJECTION	
	0	ANGULAR	± ---	frame size: A4	

RoHS Compliant

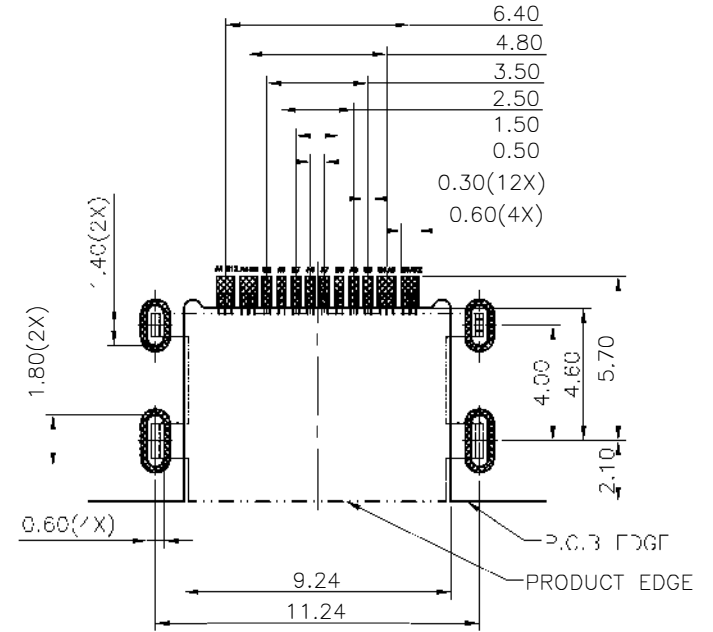
REV	ECN No.	DATE	REMARK
A	NEW	2019.03.20	NEW RELEASE
B	--	2021.06.21	整理图纸



AFTER MATING

USB TYPE-C PIN ASSIGNMENTS

PIN NUMBER	SIGNAL NAME	PIN NUMBER	SIGNAL NAME
A1	GND	B12	GND
A4	VBUS	B9	VBUS
A5	CC1	B8	SBU2
A6	Dp1	B7	Dn2
A7	Dn1	B6	Dp2
A8	SBU1	B5	CC2
A9	VBUS	B4	VBUS
A12	GND	B1	GND



RECOMMENDED PCB LAYOUT(TOP VIEW)
THICKNESS 0.80MM;DEFAULT TOLERANCE:±0.05

PART NO.: SEE THE PART NUMBER CODE		GOLDCONN TECHNOLOGIES COMPANY LIMITED		DRAWN BY SAM	DATE 2021.06.21
GENERAL TOLERANCES (UNLESS SPECIFIED)		TITLE USB CF 16PIN (L=6.5) 沉板2.1外壳带弹片		CHECKED BY JAY	DATE 2021.06.21
QUALITY SYMBOL	0	x.xxxx	± ---	APPROVED BY JACKY	DATE 2021.06.21
	0	x.xxx	± 0.10	DWGNO. CF215-16-01	
	0	x.xx	± 0.25	SHEET NO. 2 OF 2	
	0	x.x	± 0.30	SCALE 1:1	
	0	ANGULAR	± ---	DIMENSION STYLE MM ONLY	
	0			DESIGN UNITS METRIC	
				THIRD ANGLE PROJECTION	