

NOTE/注释:

- SPECIFICATION/规格:
 - Rated current (额定电流): 5.0 A
 - Voltage rating (额定电压): 5V AC
 - Contact Resistance (接触阻抗): 40 m Ω Max.
 - Insulation Resistance (绝缘阻抗): 100MΩ Min.
 - Withstanding voltage (耐电压): 100 VAC/minute
 - Mating force (插入力): 5~20N .
 - Unmating force (拔出力): 8~20N.
 - Durability Cycle(寿命循环):10,000 cycle
 - Operating temperature (工作温度): -40°~+85°

2.PART NUMBER CODE:

CF 2 24 - 010 S X B XX R
 (1) (2) (3)(4)(5) (6)


- 产品型态: 板上型
- Pin No.: 24:24Pin
- HOUSING MATERIALS: C:PA9T
- HOUSING COLOR: B:BLACK
- CONTACTS PLATED: 12:接触镀金3u", 其它GF
- PACKING OPTIONS R:TAPE & REEL

ITEM	DESCRIPTION	QTY	MATERIAL	FINISH	REMARK
4	TERMINAL	24	C18140	MATING SIDE:SEE PART NO; SOLDER TAIL:Gold FLASH, 50u" NICKEL OVERALL.	T=0.12
3	SHELL	1	SUS304	NICKEL PLATING	T=0.30
2	MID PLATE	1	SUS301	NICKEL PLATING	T=0.15
1	MAIN HOUSING	1	PA9T HF 30%玻纤, UL94 V-0, 黑色		BLACK UL94V-0

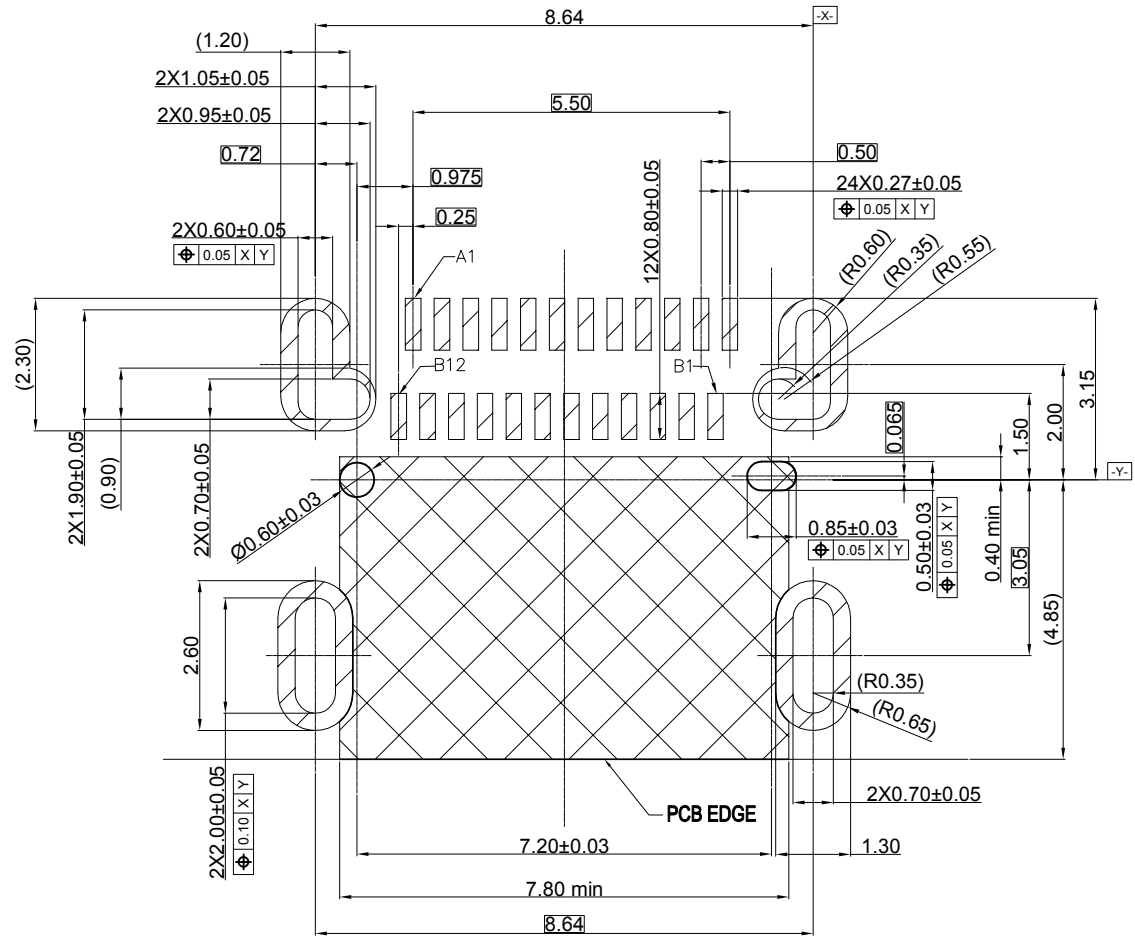
BILL OF MATERIAL

PART NO.: SEE THE PART NUMBER CODE		GOLDCONN TECHNOLOGIES COMPANY LIMITED		DRAWN BY SAM	DATE 2020.12.15
QUALITY SYMBOL 0 ∇= 0	GENERAL TOLERANCES (UNLESS SPECIFIED)		TITLE USB 4.0 Type C 24P母座有后盖单壳 双贴SMT 板上平贴,L=8.17mm		CHECKED BY JAY
	x.xxxx	± ---	DWG.NO. CF224-010	SHEET NO. 1 OF 3	DATE 2020.12.15
	x.xxx	± 0.10			APPROVED BY JACKY
	x.xx	± 0.20	DIMENSION STYLE MM ONLY	DESIGN UNITS METRIC	DATE 2020.12.15
x.x	± 0.30	THIRD ANGLE PROJECTION			
ANGULAR	± ---°	frame size: A4			

10 9 8 7 6 5 4 3 2 1

RoHS Compliant 

REV	ECN No.	DATE	REMARK
A	NEW	2020.12.15	NEW RELEASE



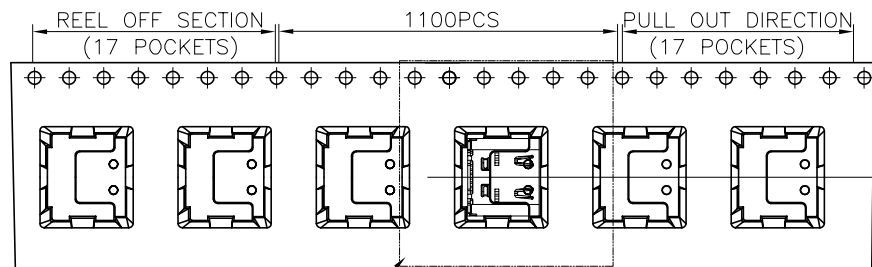
USB TYPE-C PIN ASSIGNMENTS

PIN NUMBER	SIGNAL NAME	PIN NUMBER	SIGNAL NAME
A1	GND	B12	GND
A2	SSTXp1	B11	SSRXp1
A3	SSTXn1	B10	SSRXn1
A4	VBUS	B9	VBUS
A5	CC1	B8	SBU2
A6	Dp1	B7	Dn2
A7	Dn1	B6	Dp2
A8	SBU1	B5	CC2
A9	VBUS	B4	VBUS
A10	SSRXn2	B3	SSTXn2
A11	SSRXp2	B2	SSTXp2
A12	GND	B1	GND

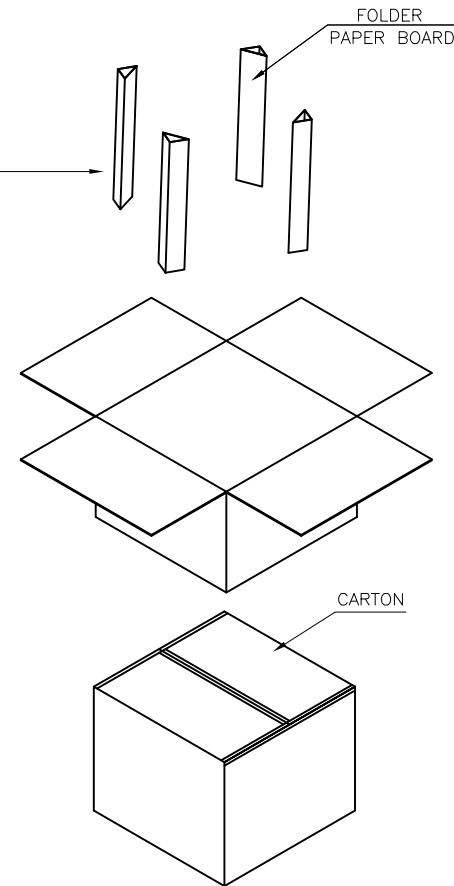
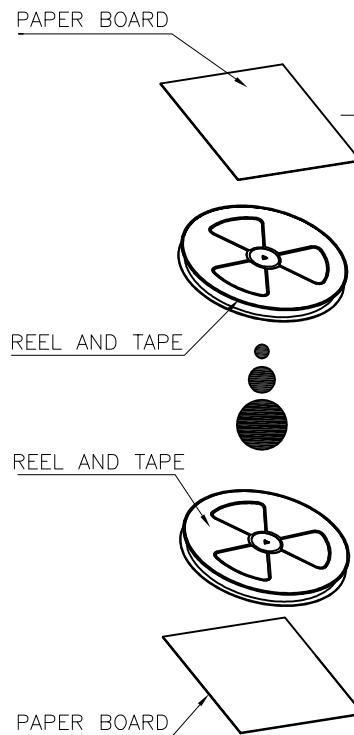
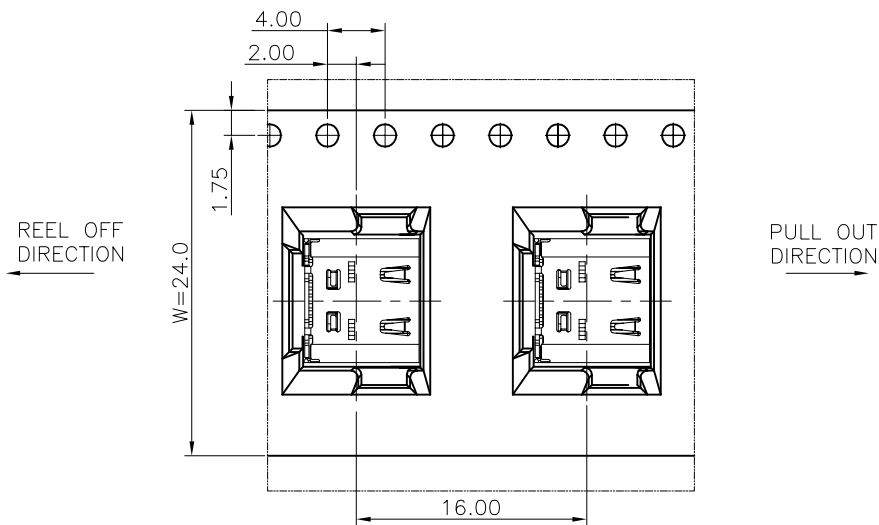
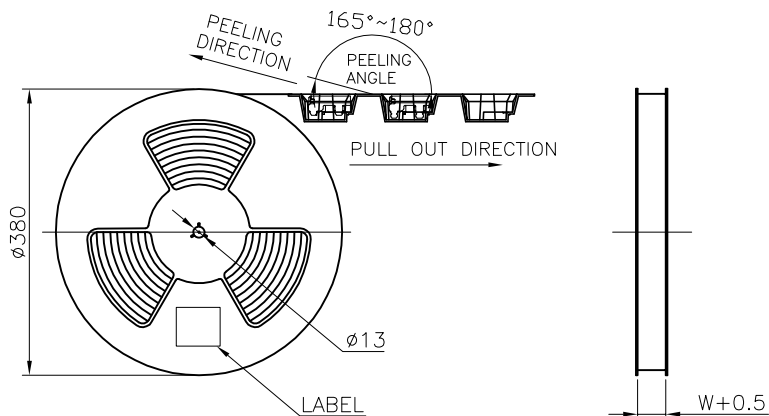
PART NO.: SEE THE PART NUMBER CODE		GOLDCONN TECHNOLOGIES COMPANY LIMITED		DRAWN BY SAM	DATE 2020.12.15	
QUALITY SYMBOL 0 ∇ = 0	GENERAL TOLERANCES (UNLESS SPECIFIED)		TITLE USB 4.0 Type C 24P母座有后盖单壳 双贴SMT板上平贴,L=8.17mm			
	x.xxxx	± ---	DWG.NO. CF224-010	SHEET NO. 2 OF 3	CHECKED BY JAY	DATE 2020.12.15
	x.xxx	± 0.10			APPROVED BY JACKY	DATE 2020.12.15
	x.xx	± 0.20	DIMENSION STYLE MM ONLY	DESIGN UNITS METRIC	SCALE 1:1	THIRD ANGLE PROJECTION
x.x	± 0.30	frame size: A4				
ANGULAR	± ---°					

RoHS Compliant

REV	ECN No.	DATE	REMARK
A	NEW	2020.12.15	NEW RELEASE



SEE DETAIL X



	REEL	CARTON
CONNECTOR (PCS)	1100	11000

PART NO.: SEE THE PART NUMBER CODE		GOLDCONN TECHNOLOGIES COMPANY LIMITED		DRAWN BY SAM	DATE 2020.12.15												
<table border="1"> <tr> <th colspan="2">GENERAL TOLERANCES (UNLESS SPECIFIED)</th> </tr> <tr> <td>x:xxxx</td> <td>± --</td> </tr> <tr> <td>x:xxx</td> <td>± 0.10</td> </tr> <tr> <td>x:xx</td> <td>± 0.20</td> </tr> <tr> <td>x:x</td> <td>± 0.30</td> </tr> <tr> <td>ANGULAR</td> <td>± --</td> </tr> </table>		GENERAL TOLERANCES (UNLESS SPECIFIED)		x:xxxx	± --	x:xxx	± 0.10	x:xx	± 0.20	x:x	± 0.30	ANGULAR	± --	TITLE USB 4.0 Type C 24P母座有后盖单壳 双贴SMT 板上平贴,L=8.17mm		CHECKED BY JAY	DATE 2020.12.15
		GENERAL TOLERANCES (UNLESS SPECIFIED)															
x:xxxx	± --																
x:xxx	± 0.10																
x:xx	± 0.20																
x:x	± 0.30																
ANGULAR	± --																
		DWG.NO. CF224-010	SHEET NO. 3 OF 3	APPROVED BY JACKY	DATE 2020.12.15												
		DIMENSION STYLE MM ONLY	DESIGN UNITS METRIC	SCALE 1:1													
		THIRD ANGLE PROJECTION															

frame size: A4