

RoHS Compliant

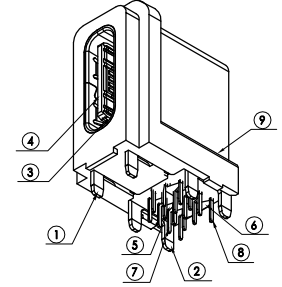
REV	ECN No.	DATE	REMARK
A	NEW	2020.09.01	NEW RELEASE

- NOTE:
- Electrical Characteristics:
    - 1-1: Current Rating: 5A For Pin(A4,A9,B4,B9)  
1.25A For Pin(B5)  
0.25A For Others Pin
    - 1-2: VOLTAGE RATING:20V
    - 1-3: Insulation Resistance: 100MΩ Min.
    - 1-4: Contact Resistance:  
VBUS & GND PINS AND OTHER PINS: 40mΩ/PIN MAX.  
SHIELD:50mΩ/MAX.  
SHIELD:LLCR MAX. CHANGE OF ALL PINS: 10mΩ.
    - 1-5: Dielectric Withstanding Voltage: 100V/AC 1Minute
  - Mechanical Characteristics:
    - Insertion Force: 5~20N
    - Extraction Force: Initial: 8~20N
    - After durability: 6~20N
    - Durability :10000 Cycles
  - Operating Temperature: -25°C TO +85°C
  - 防水等级IPX4

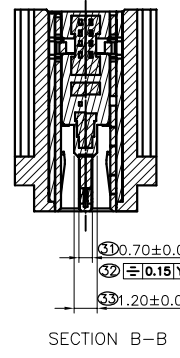
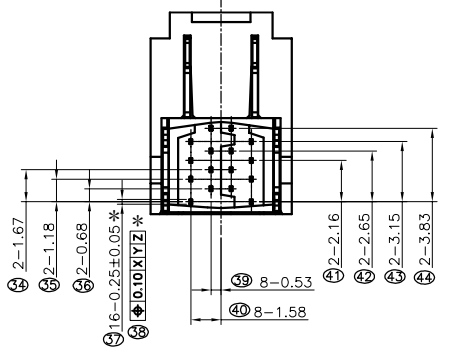
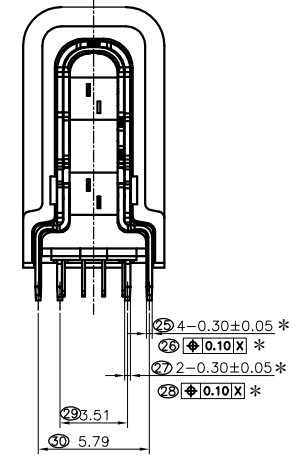
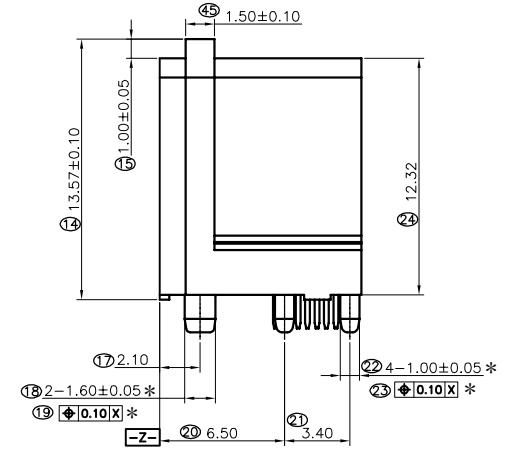
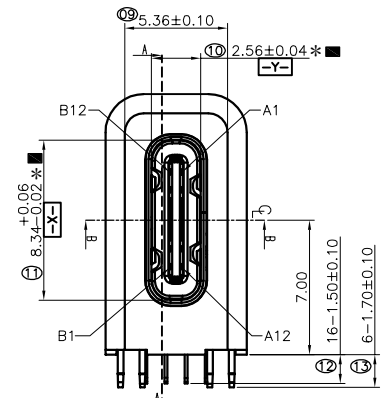
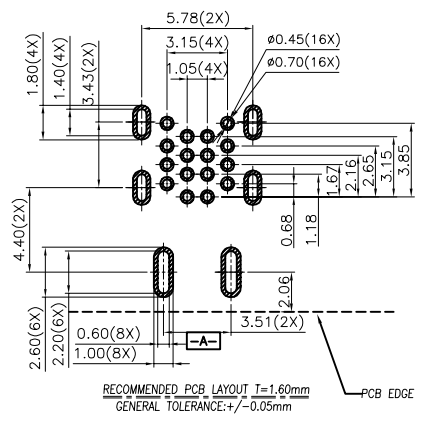
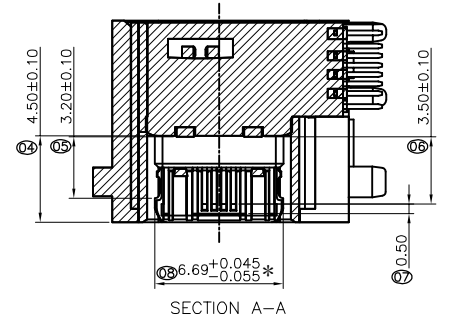
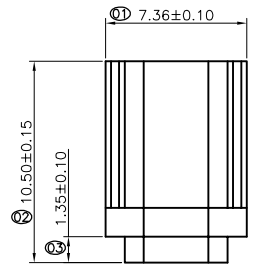
5.注: 带“\*”号的为重点管控尺寸  
“⊙”为尺寸编码

6.PART NUMBER CODE:(产品料号)  
CF272-16 X X XX X-68  
(1) (2)(3) (4)

- HOUSING MATERIAL:  
L:LCP
- HOUSING COLOR:  
B:BLACK
- CONTACTS PLATED:  
11:全金1u”
- PACKING OPTIONS  
R:TAPE & REEL  
T:TRAY



NO.	NAME	QT'Y	MATERIAL	PLATING
⑨	Jacket	1	LCP E130i,UL94 V-0	Black
⑧	Up Terminal	12	C7025-TM02,T=0.15	Contact Area:Pd Ni 0.30um Min, Au Solder Area:Au 0.05um Min Ni 2.0-5.0um over all
⑦	Down Terminal	12		
⑥	Up Moding	1	LCP E130i,UL94 V-0	Black
⑤	Down Moding	1		
④	Second Moding	1		
③	中夹片	1	SUS301-H,T=0.20	Ni 1.0-5.0um Underplating
②	内壳	1	SUS304-3/4H,T=0.30	Ni 1.0-5.0um Underplating
①	外壳	1	SUS304-3/4H,T=0.30	Ni 1.0-5.0um Underplating
NO.	NAME	QT'Y	MATERIAL	PLATING



PIN ASSINGMENT											
A1	A2	A3	A4	A5	A6	A7	A8	A9	A10	A11	A12
GND			VBUS	CC1	Dp1	Dn1	SBU1	VBUS			GND
GND			VBUS	SBU2	Dn2	Dp2	CC2	VBUS			GND
B12	B11	B10	B9	B8	B7	B6	B5	B4	B3	B2	B1

PART NO.:		GOLDCONN TECHNOLOGIES COMPANY LIMITED		DRAWN BY		DATE	
SEE THE PART NUMBER CODE				SAM		2020.09.01	
QUALITY SYMBOL	GENERAL TOLERANCES (UNLESS SPECIFIED)		TITLE				
	x.xxxx	+ - - -	Type C Female16Pin CH7.0防水 45W 侧立式				
	x.xxx	+ - 0.10	DWG.NO.		SHEET NO.		
	x.xx	+ - 0.20	CF272-16-68		1 OF 1		
	x.x	+ - 0.30	DIMENSION STYLE		DESIGN UNITS		
ANGULAR	+ - - -	MM ONLY		METRIC			
		SCALE		THIRD ANGLE PROJECTION			
		1:1					

frame size: A4