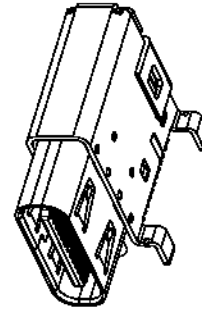
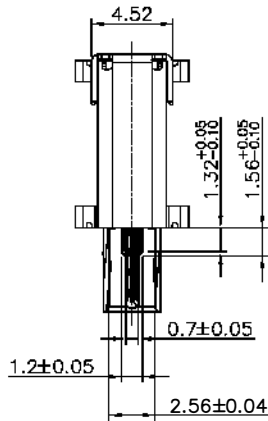
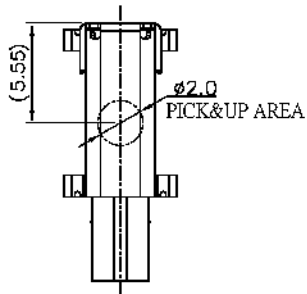


REV	ECN No.	DATE	REMARK
A	NEW	2020.12.15	NEW RELEASE



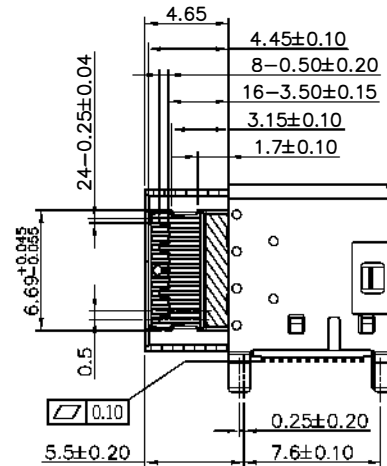
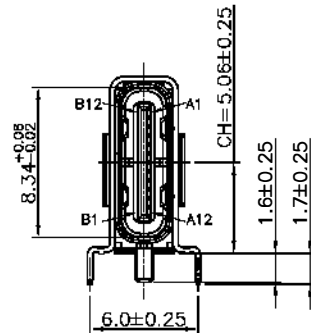
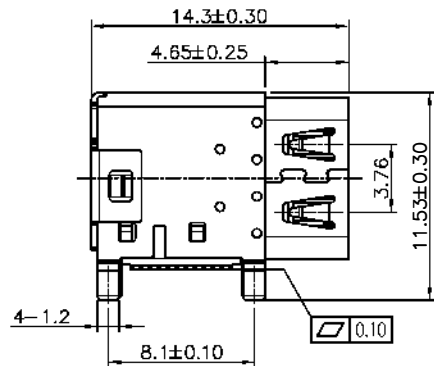
MATERIALS

- HOUSING : LCP (UL 94V-0), BLACK.
- TERMINAL : COPPER ALLOY,C18400 T=0.12
GOLD 3u"PLATED ON CONTACT AREA.
GOLD FLASH PLATING ON SOLDER TAIL.
NICKEL UNDERPLATED OVER ALL.
- MID PLATE : STAINLESS STEEL, SUS301 T=0.15
- SHELL : STAINLESS STEEL,SUS301 T=0.30 NICKEL PLATING.
- EMI : STAINLESS STEEL,SUS304 T=0.10

SPECIFICATION

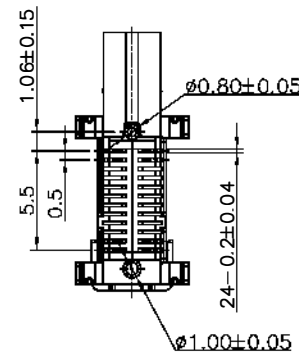
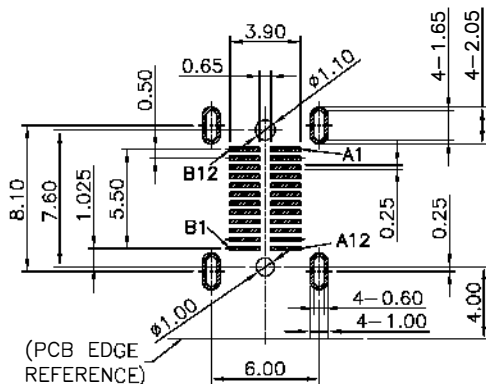
- CURRENT RATING : 5.0A FOR Vbus PIN,
1.25A FOR Vconn PIN,
0.25A FOR OTHER PINS.
- CONTACT RESISTANCE : 40mΩ.
- INSULATION RESISTANCE : 100MΩ MIN.
- DIELECTRIC WITHSTANDING VOLTAGE : 100 VAC MIN.
- OPERATING TEMPERATURE : -40°C TO +85°C.
- MATING FORCE : 5~20N.
- UNMATING FORCE : 8~20N.
- DURABILITY : 10,000 CYCLES.
- RECOMMENDED PROCESS :
THE PEAK TEMPERATURE ON THE BOARD SHALL
MAINTAIN 260°C.
- 高频40G
- PART NUMBER CODE:

1	CF290-24SLB12R-02	LCP黑色环保无卤核触镀金3u"其它GF	卷装+CAP
序号	料号	规格	包装



PIN ASSIGNMENT:

PIN	Signal Name	PIN	Signal Name
A1	GND	B12	GND
A2	SSTxp1	B11	SSRXp1
A3	SSTXn1	B10	SSRXn1
A4	Vbus	B9	Vbus
A5	CC1	B8	SBU2
A6	Dp1	B7	DN2
A7	Dn1	B6	DP2
A8	SBU1	B5	CC2
A9	Vbus	B4	Vbus
A10	SSRXn2	B3	SSTXn2
A11	SSRXp2	B2	SSTXp2
A12	GND	B1	GND



RECOMMENDED P.C.B LAYOUT
TOLERANCE ± 0.05mm (TOP VIEW)

PART NO.:
SEE THE PART NUMBER CODE

GOLDCONN TECHNOLOGIES COMPANY LIMITED

DRAWN BY: SAM
DATE: 2020.12.15

QUALITY SYMBOL	GENERAL TOLERANCES (UNLESS SPECIFIED)
0	x.xxxxx ± ---
0	x.xxx ± 0.10
0	x.xx ± 0.20
0	x.x ± 0.30
0	ANGULAR ± ---

TITLE: USB 4.0 TYPE-C 24PIN FEMALE UPRIGHT TYPE, 40G GEN2

CHECKED BY: JAY
DATE: 2020.12.15

DWG.NO.: CF290-24-02
SHEET NO.: 1 OF 1

APPROVED BY: JACKY
DATE: 2020.12.15

DIMENSION STYLE: MM ONLY
DESIGN UNITS: METRIC
SCALE: 1:1

THIRD ANGLE PROJECTION