

NOTE:

1. Electrical Characteristics:

1-1: Current Rating: 5A For Pin(A4,A9,B4,B9)
1.25 A For Pin(B5)
0.25A For Others Pin

1-2: VOLTAGE RATING: 20V

1-3: Insulation Resistance: 100MΩ Min.

1-4: Contact Resistance:

VBUS & GND PINS AND OTHER PINS: 40mΩ/PIN MAX.
SHIELD: 50mΩ/MAX.

SHIELD: LLCR MAX. CHANGE OF ALL PINS: 10mΩ

1-5: Dielectric Withstanding Voltage: 100V/AC 1Minute

2. Mechanical Characteristics:

Insertion Force: 5~20N

Extraction Force: Initial: 8~20N

After durability: 6~20N

Durability :10000 Cycles

3. Operating Temperature: -25°C TO +85°C

4. MID PLATE, EMC PLATE, SHELL CONNECTED TOGETHER

5. PART NUMBER CODE: (产品料号)

CF324-009 S X X XX R-C3
(1) (2)(3) (4)

USB TYPE-C PIN ASSIGNMENTS

PIN	Signal Name	PIN	Signal Name
A1	GND	B12	GND
A2	SSTXp1	B11	SSRXp1
A3	SSTXn1	B10	SSRXn1
A4	VBUS	B9	VBUS
A5	CC1	B8	SBU2
A6	Dp1	B7	Dn2
A7	Dn1	B6	Dp2
A8	SBU1	B5	CC2
A9	VBUS	B4	VBUS
A10	SSRXn2	B3	SSTXn2
A11	SSRXp2	B2	SSTXp2
A12	GND	B1	GND

(1) HOUSING MATERIAL:

L: LCP

(2) HOUSING COLOR:

B: BLACK

(3) CONTACTS PLATED:

01: 半金15u"

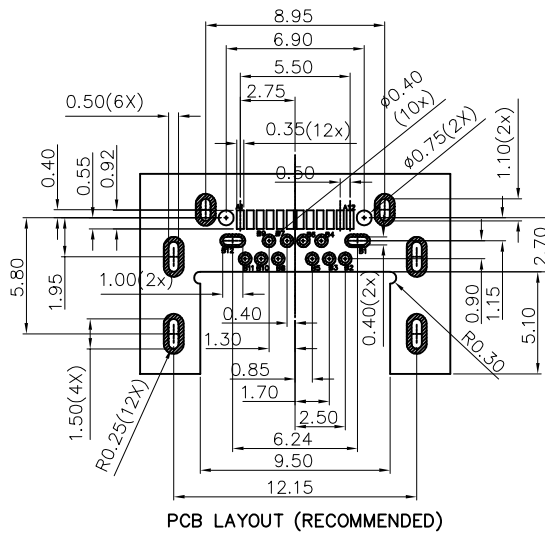
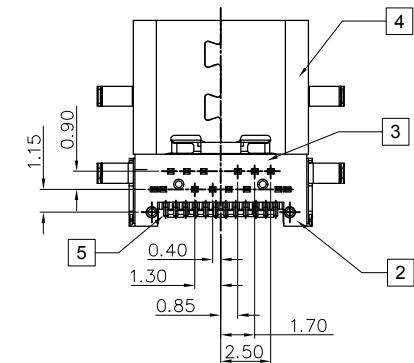
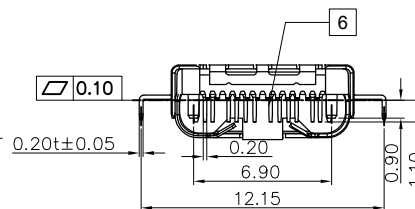
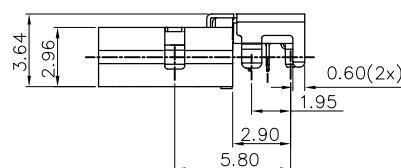
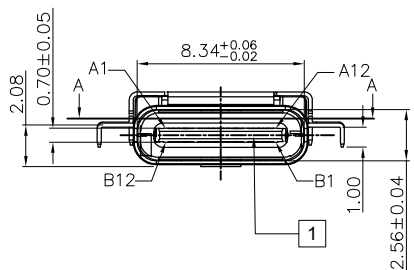
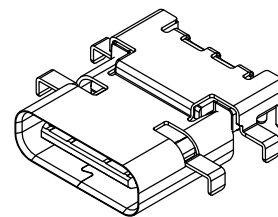
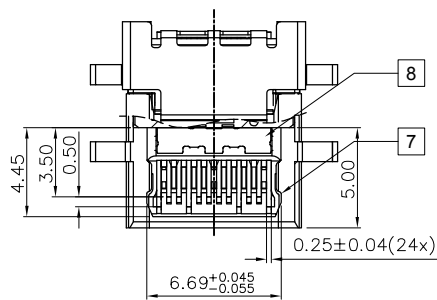
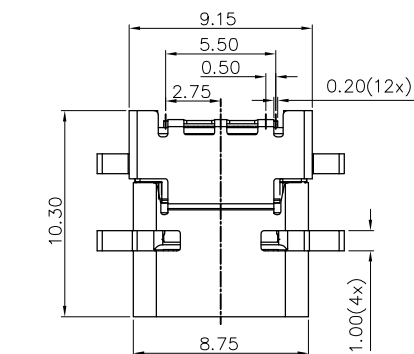
02: 半金3u"

04: 半金15u"

(4) PACKING OPTIONS

R: TAPE & REEL

Item	Title	Material	Dispose	Q'TY
1	Insermold housing	LCP	Black	1PCS
2	Insermold-Top Contact	LCP	Black	1PCS
3	Insermold-Bottom Contact	LCP	Black	1PCS
4	Shell	Stainless Steel T=0.20	Ni: 30u" Min.	1PCS
5	Top Contact	Copper Alloy T=0.12	Mating Area: See P/N Solder Tails: Ni: 50u" Min, Sn80u" Min.	12PCS
6	Bottom Contact	Copper Alloy T=0.12		12PCS
7	Mid Plate	Stainless Steel	Ni: 30u" Min, Sn80u" Min.	1PCS
8	EMC plate	Stainless Steel		2PCS



PCB LAYOUT (RECOMMENDED)

(Tol: ±0.05)

PART NO.:
SEE THE PART NUMBER CODE

Goldconn Technologies Co., Ltd

DRAWN BY: SAM
DATE: 2022.02.17

QUALITY SYMBOL	GENERAL TOLERANCES (UNLESS SPECIFIED)	
	x.xxxxx	± ---
	x.xxxx	± 0.10
	x.xx	± 0.25
	x.x	± 0.30
ANGULAR	± ---	

TITLE: USB 3.1 C TYPE 沉板前DIP/后SMT6脚插板(外壳0.2厚)

CHECKED BY: JAY
DATE: 2022.02.17

DWG. NO.: CF324-009-C3

SHEET NO.: 1 OF 1

APPROVED BY: JACKY
DATE: 2022.02.17

DIMENSION STYLE: MM ONLY
DESIGN UNITS: METRIC

SCALE: 1:1

THIRD ANGLE PROJECTION