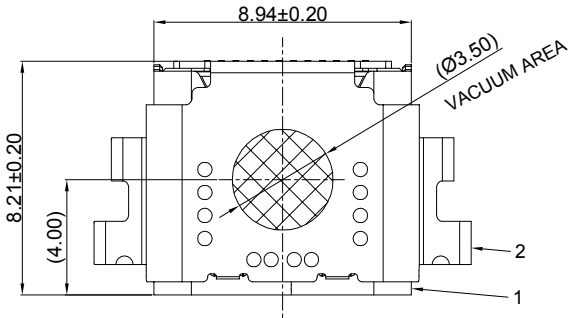


RoHS Compliant

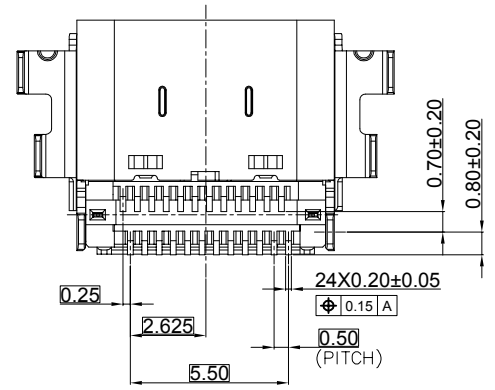
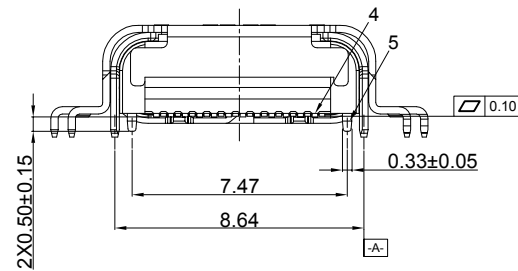
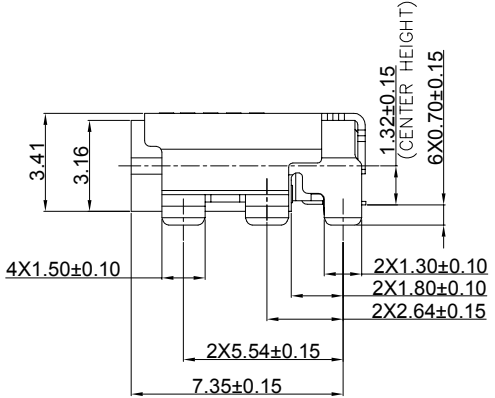
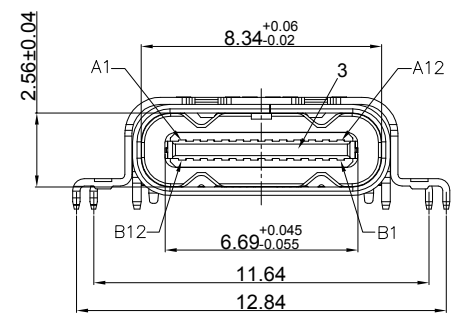
| REV | ECN No. | DATE | REMARK |
|-----|---------|------------|-------------|
| A | NEW | 2020.12.15 | NEW RELEASE |



NOTE/注释：
 1. SPECIFICATION/规格：
 1.1 Rated current (额定电流) : 5.0 A
 1.2 Voltage rating (额定电压) : 5V AC
 1.3 Contact Resistance (接触阻抗) : 40 m Ω Max.
 1.4 Insulation Resistance (绝缘阻抗) : 100MΩ Min.
 1.5 Withstanding voltage (耐电压) : 100 VAC/minute
 1.6 Mating force (插入力) : 5~20N.
 1.7 Unmating force (拔出力) : 8~20N.
 1.8 Durability Cycle(寿命循环):10,000 cycle
 1.9 Operating temperature (工作温度) : -40°~+85°

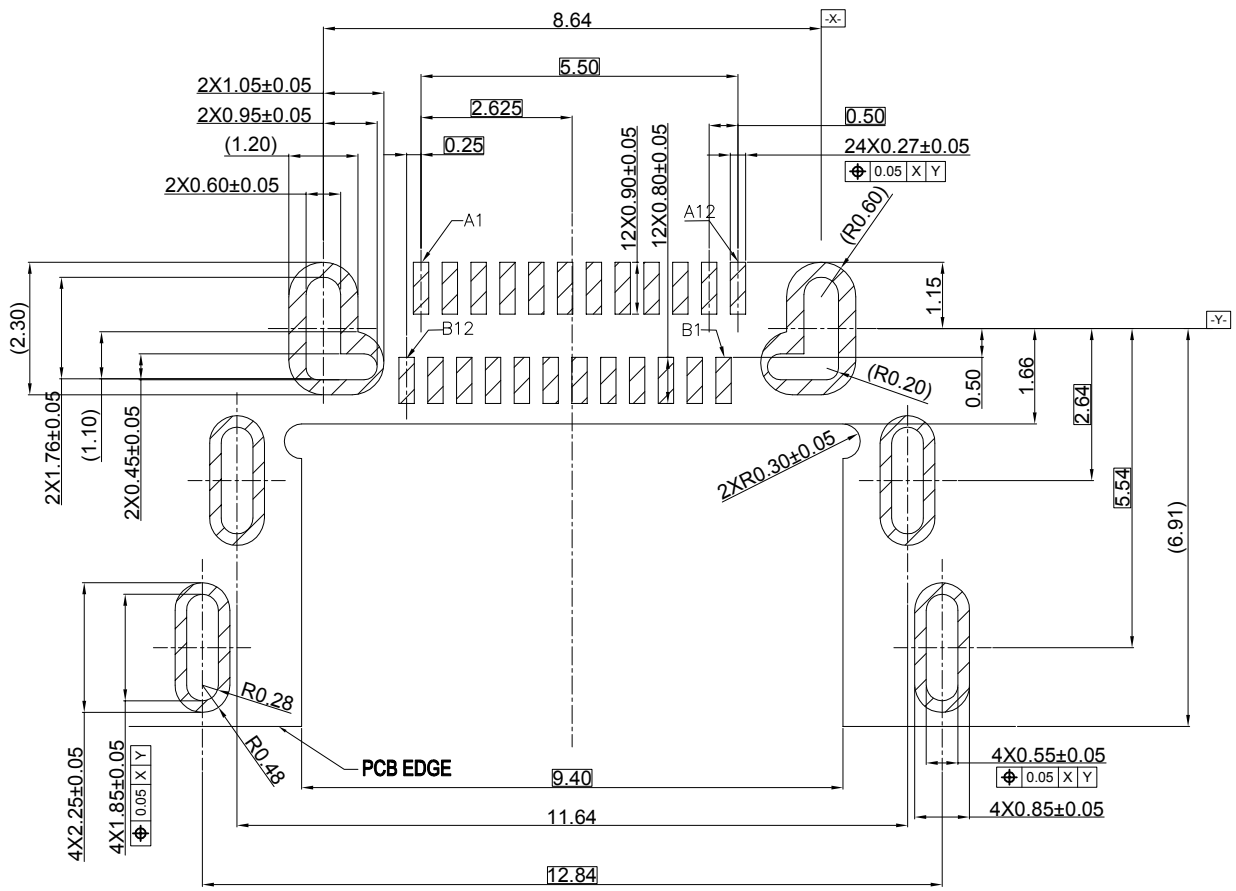
2.PART NUMBER CODE:
 CF3 24 - 014 S X B XX R
 (1) (2) (3)(4)(5) (6)

- (1) 产品型号: 3:沉板型
- (2) Pin No.: 24:24Pin
- (3) HOUSING MATERIALS: C:PA9T
- (4) HOUSING COLOR: B:BLACK
- (5) CONTACTS PLATED: 12:接触镀金3u", 其它GF
- (6) PACKING OPTIONS R:TAPE & REEL



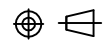
| ITEM | DESCRIPTION | QTY | MATERIAL | FINISH | REMARK |
|------------------|--------------|-----|-----------------------------|--|---------------|
| 4 | TERMINAL | 24 | C18140 | MATING SIDE:SEE PART NO; SOLDER TAIL:Gold FLASH, 50u" NICKEL OVERALL. | T=0.12 |
| 3 | SHELL | 1 | SUS304 | NICKEL PLATING | T=0.30 |
| 2 | MID PLATE | 1 | SUS301 | NICKEL PLATING | T=0.15 |
| 1 | MAIN HOUSING | 1 | PA9T HF 30%玻纤, UL94 V-0, 黑色 | | BLACK UL94-V0 |
| BILL OF MATERIAL | | | | | |

| | | | | | | |
|---------------------------------------|---------------------------------------|---------------------------------------|--|----------------------------|------------------------|--------------------|
| PART NO.: SEE THE PART NUMBER CODE | | GOLDCONN TECHNOLOGIES COMPANY LIMITED | | DRAWN BY SAM | DATE 2020.12.15 | |
| QUALITY SYMBOL = 0 | GENERAL TOLERANCES (UNLESS SPECIFIED) | | TITLE USB 4.0 Type C 24P母座有后盖双壳 双贴SMT cl=1.32mm,L=8.21mm | | CHECKED BY JAY | DATE 2020.12.15 |
| | x.xxxx | ± --- | | DWG.NO. CF324-014 | APPROVED BY JACKY | DATE 2020.12.15 |
| | x.xxx | ± 0.10 | | SHEET NO. 1 OF 3 | | |
| | x.xx | ± 0.20 | | DIMENSION STYLE MM ONLY | DESIGN UNITS METRIC | SCALE 1:1 |
| x.x | ± 0.30 | | | | | |
| ANGULAR | ± ---° | | | | | |
| | | | | THIRD ANGLE PROJECTION | | |



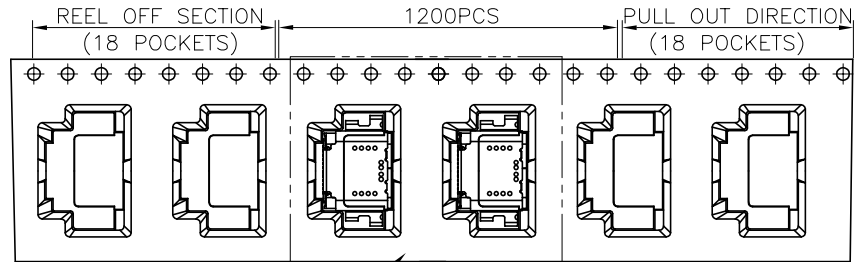
USB TYPE-C PIN ASSIGNMENTS

| PIN NUMBER | SIGNAL NAME | PIN NUMBER | SIGNAL NAME |
|------------|-------------|------------|-------------|
| A1 | GND | B12 | GND |
| A2 | SSTXp1 | B11 | SSRXp1 |
| A3 | SSTXn1 | B10 | SSRXn1 |
| A4 | VBUS | B9 | VBUS |
| A5 | CC1 | B8 | SBU2 |
| A6 | Dp1 | B7 | Dn2 |
| A7 | Dn1 | B6 | Dp2 |
| A8 | SBU1 | B5 | CC2 |
| A9 | VBUS | B4 | VBUS |
| A10 | SSRXn2 | B3 | SSTXn2 |
| A11 | SSRXp2 | B2 | SSTXp2 |
| A12 | GND | B1 | GND |

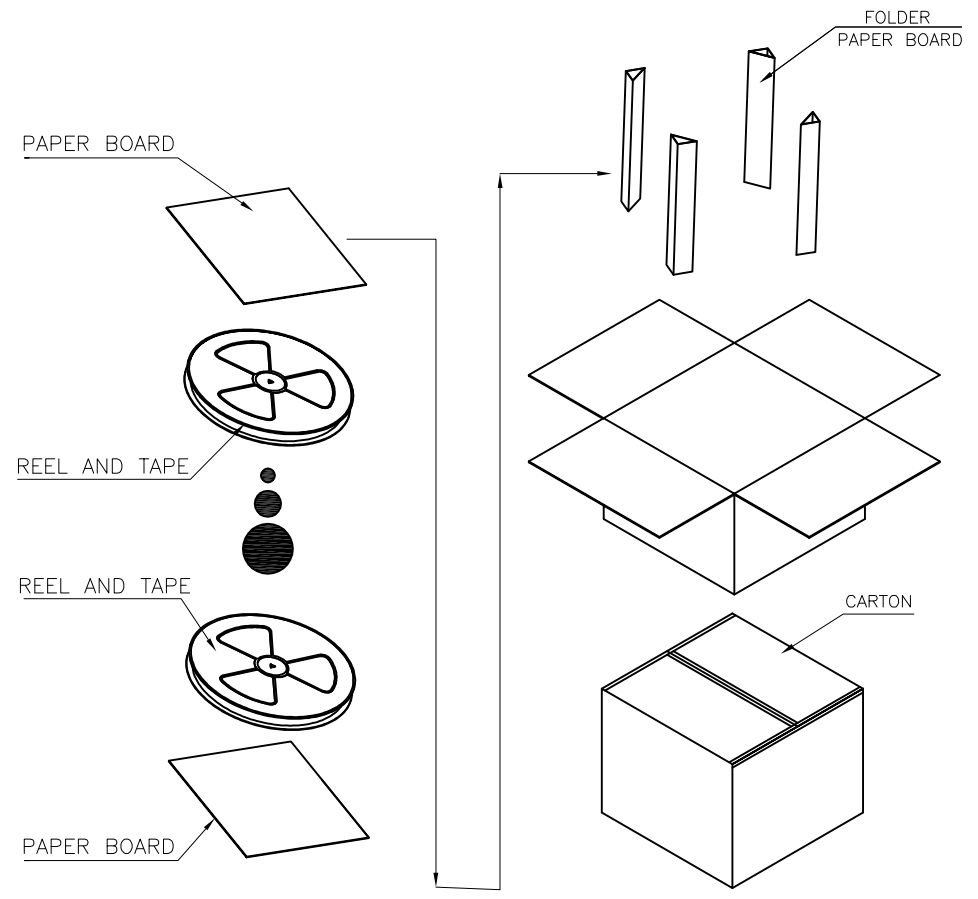
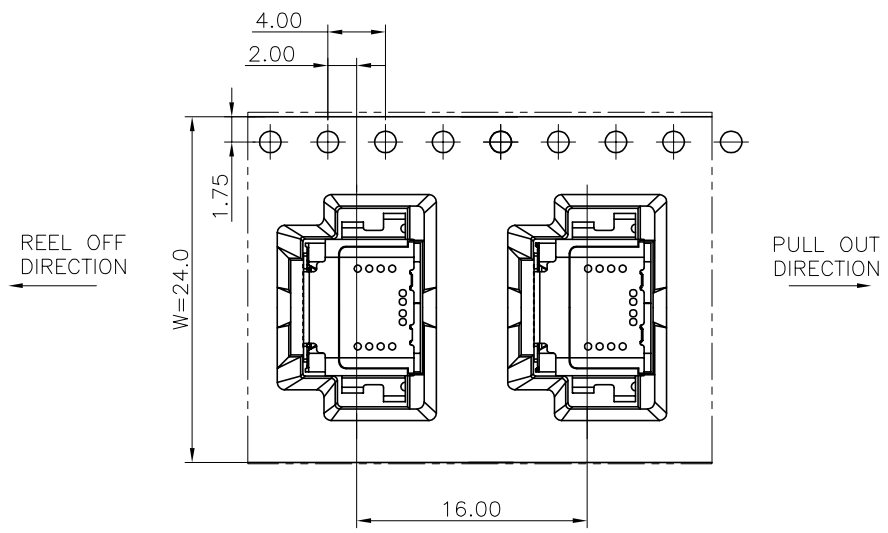
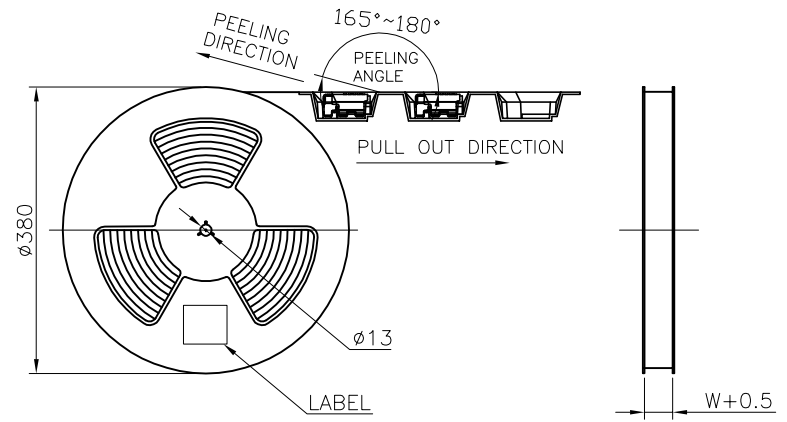
| | | | | | |
|--|--|--|--|---|---------------------------|
| PART NO.: SEE THE PART NUMBER CODE | | GOLDCONN TECHNOLOGIES COMPANY LIMITED | | DRAWN BY SAM | DATE 2020.12.15 |
| QUALITY SYMBOL 0 ∇ = 0 | | GENERAL TOLERANCES (UNLESS SPECIFIED) | | CHECKED BY JAY | |
| | | TITLE USB 4.0 Type C 24P母座有后盖双壳 双贴SMT cl=1.32mm,L=8.21mm | | DATE 2020.12.15 | |
| x.xxxx ± --- | | DWG.NO. CF324-014 | | APPROVED BY JACKY | |
| x.xxx ± 0.10 | | SHEET NO. 2 OF 3 | | DATE 2020.12.15 | |
| x.xx ± 0.20 | | DIMENSION STYLE MM ONLY | |  THIRD ANGLE PROJECTION | |
| x.x ± 0.30 | | DESIGN UNITS METRIC | | | |
| ANGULAR ± --- | | frame size: A4 | | | |

RoHS Compliant 

| REV | ECN No. | DATE | REMARK |
|-----|---------|------------|-------------|
| A | NEW | 2020.12.15 | NEW RELEASE |



SEE DETAIL X



| | | |
|-----------------|------|--------|
| | REEL | CARTON |
| CONNECTOR (PCS) | 1200 | 12000 |

| | | | | | |
|--|---------|---|------|-----------------------------------|-------------------------------|
| PART NO.: SEE THE PART NUMBER CODE | | GOLDCONN TECHNOLOGIES COMPANY LIMITED | | DRAWN BY SAM | DATE 2020.12.15 |
| GENERAL TOLERANCES (UNLESS SPECIFIED) | | TITLE USB 4.0 Type C 24P母座有后盖双壳 双贴SMT cl=1.32mm,L=8.21mm | | CHECKED BY JAY | DATE 2020.12.15 |
| QUALITY SYMBOL $\nabla=0$ | x:xxxx | ± | -- | DWG.NO. CF324-014 | SHEET NO. 3 OF 3 |
| | x:xxx | ± | 0.10 | DIMENSION STYLE MM ONLY | DESIGN UNITS METRIC |
| | x:xx | ± | 0.20 | SCALE 1:1 | APPROVED BY JACKY |
| | x:x | ± | 0.30 | THIRD ANGLE PROJECTION | |
| | ANGULAR | ± | -- | frame size: A4 | |