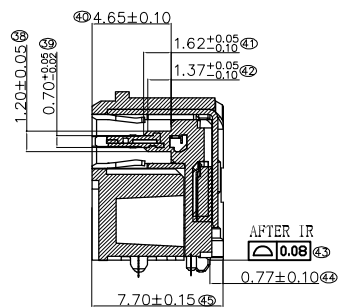
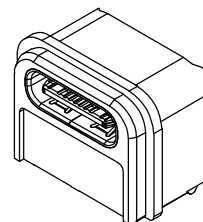


SECTION A-A

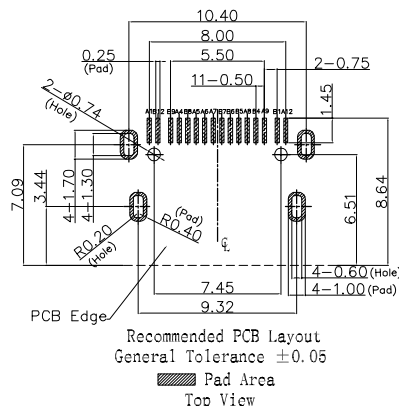
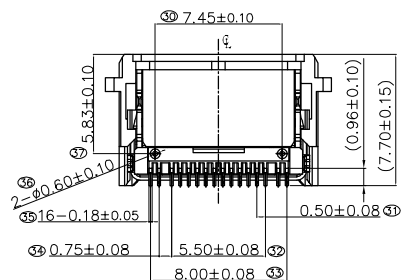
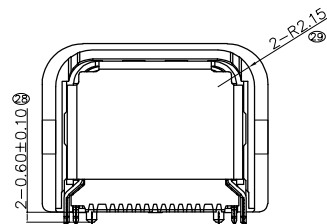
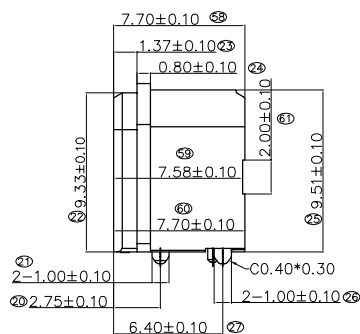
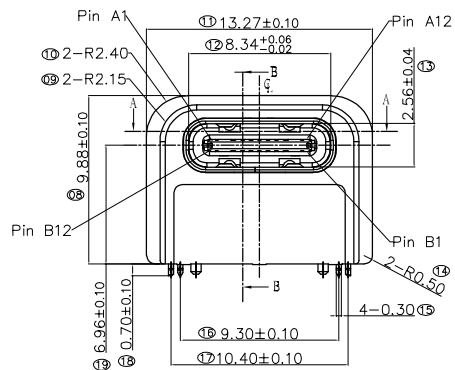


SECTION B-B



NOTE:

- Material:
 - All Housing: LCP(Polyplastics),Black,Thermoplastics,UL94V-0
 - Insulation Jacket: LCP(Polyplastics),Black,Thermoplastics,UL94V-0
 - Contact: Copper Alloy
 - Mid Plate: Stainless Steel
 - Outer Shell: Stainless Steel
 - Inner Shell: Stainless Steel
- FINISH:
 - Contact: Au 2u" Min. over Pd-Ni 30u" Min. on Contact Area
 - Au 2u" Min. on Solder Area
 - 80~200u" Nickel Underplating Over All
 - Mid-Plate: 40~200u" Nickel Over All
 - Inner & Outer Shell: 40~200u" Nickel Over All
- Outer Shell (Insulator) Minimum Thickness 0.40mm
- Electrical Characteristics:
 - Current Rating: 5A For Pin(A4,A9,B4,B9)
 - 1.25A For Pin(A1,A12,B1,B12,B5)
 - 0.25A For Others Pin
 - Insulation Resistance: 100MΩ Min.
 - Contact Resistance: 40 mΩ Max. Before the test
 - 50 mΩ Max. After the test
 - Dielectric Withstanding Voltage: 500V/AC/0.1S/0.1m
- Mechanical Characteristics:
 - Insertion Force: 5~20N
 - Extraction Force: Initial: 8~20N
 - After durability: 6~20N
 - Durability :10000 Cycles
- Operating Temperature: -45°C TO +85°C



PIN ASSIGNMENT

PIN NUMBER	SIGNAL NAME	PIN NUMBER	SIGNAL NAME
A1	GND	B12	GND
A3	TX1+	B11	TX1+
A3	TX1-	B11	TX1-
A4	VBUS	B9	VBUS
A5	CC1	B8	SBUT
A6	D+	B7	D-
A7	D-	B6	D+
A8	SBUT	B5	CC2
A9	VBUS	B4	VBUS
A10	TX2+	B4	TX2+
A11	TX2-	B4	TX2-
A12	GND	B1	GND

REV	DESCRIPTION	PART NUMBER	MATERIAL	PLATING	REMARK
9	UP Terminal	GUB129H-1B1-VA2A	C18400		Note.2 ISET
8	Down Terminal	GUB130H-1B1-VA2A	C18400		Note.2 ISET
7	Insulation Jacket	HUT121L-LA1-BX00-H			1PCS
6	Down Molding	HUT124L-LA1-BM2A-H	LCP E130 BK		1PCS
5	Up Molding	HUT125L-LA1-BM2A-H	UL 94V-0, IIF		1PCS
4	Second Molding	HUT120L-1B1-BM2A-H			1PCS
3	Mid-Plate	GUB139U-1A1-VN72	SUS301		Note.2 1PCS
2	Inner Shell	GUB138U-1A1-VN72	SUS304		Note.2 1PCS
1	Outer Shell	GUB133U-1B1-SN72	SUS304		Note.2 1PCS

PART NO.: CFW16-001SLB11R-68

GOLDCONN TECHNOLOGIES COMPANY LIMITED

DRAWN BY: SAM DATE: 2021.08.08

QUALITY SYMBOL	GENERAL TOLERANCES (UNLESS SPECIFIED)
± 0.10	± 0.10
± 0.25	± 0.25
± 0.30	± 0.30
ANGULAR	± --°

TITLE	DWG.NO.	SHEET NO.
TYPE C F 16PIN SMT TYPE CH6.96防水IP45	CFW16-001-68	1 OF 1
DIMENSION STYLE	DESIGN UNITS	SCALE
MM ONLY	METRIC	1:1

CHECKED BY: JAY DATE: 2021.08.08

APPROVED BY: JACKY DATE: 2021.08.08

