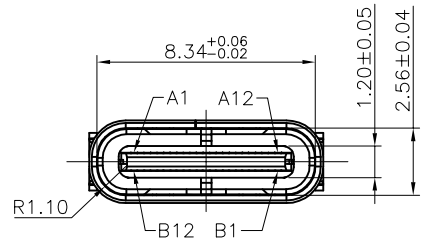
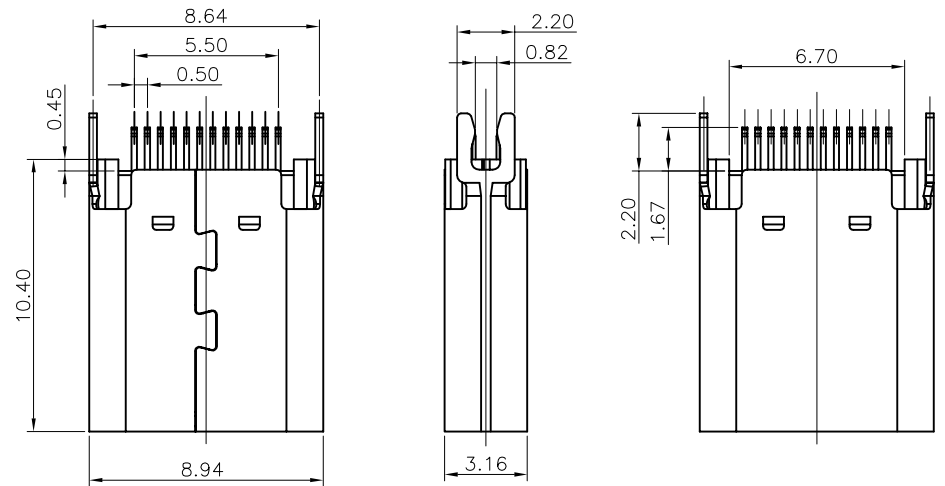
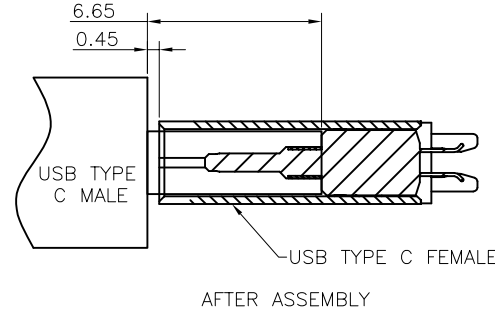
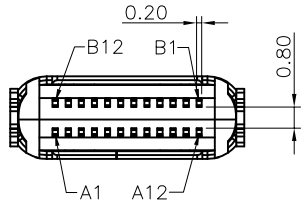


RoHS Compliant

REV	ECN No.	DATE	REMARK
A	NEW	2016.04.14	新版发行
B	ECN1612001	2016.12.23	变更新料号
C	ECN1709005	2017.09.06	新增电镀15u规格
D	ECN1803005	2018.03.08	新增外壳镀金规格
E	ECN1805012	2018.05.29	镀金1u => 3u
F	ECN1908008	2019.08.05	变更新图号
G	ECN2011005	2020.11.09	升级第三代产品



NOTE:

- Electrical Characteristics:
 - 1-1: Current Rating: 5A For Pin(A4,A9,B4,B9)
1.25A For Pin(B5)
0.25A For Others Pin
 - 1-2: VOLTAGE RATING:5.0V
 - 1-3: Insulation Resistance: 100MΩ Min.
 - 1-4: Contact Resistance:
VBUS & GND PINS AND OTHER PINS: 40mΩ/PIN MAX.
SHIELD:50mΩ/MAX.
SHIELD:LLCR MAX. CHANGE OF ALL PINS: 10mΩ.
 - 1-5: Dielectric Withstanding Voltage: 100V/AC 1Minute
- Mechanical Characteristics:
 - Insertion Force: 5~20N
 - Extraction Force: Initial: 8~20N
 - After durability: 6~20N
 - Durability :10000 Cycles
- Operating Temperature: -25°C TO +85°C

4.PART NUMBER CODE:(产品料号)
Z-CF010 S L B XX T - A - 01
(1) (2) (3) (4)

- (1) HOUSING MATERIAL:
L:PA9T
- (2) HOUSING COLOR:
B:BLACK
- (3) CONTACTS PLATED:
02:半金锡3u"
- (4) PACKING OPTIONS
T:TUBE



TYPE:

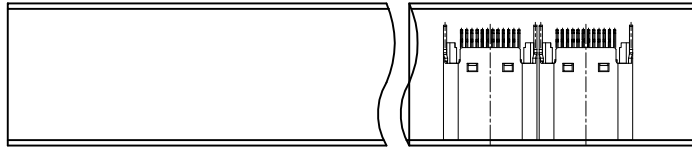
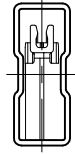
NO.	DESCRIPTION	MATERIAL	REMARKS
5	SHELL	SUS304 T=0.30mm	NICKEL 30u" MIN PLATING
4	SHIELDING PLATE	SUS301 T=0.15mm	---
3	EMI PLATE	SUS304 T=0.10mm	---
2	CONTACT	COPPER ALLOY T=0.12mm	IN 50u" MIN. UNDER PLATED OVER ALL Au 3u" PLATED ON THE FUNCTIONAL AREA OF CONTACT. PLATING 1u" OF THE SOLDER AREA
1	HOUSING	PA9T UL94V-0	BLACK

PART NO.: SEE THE PART NUMBER CODE		Goldconn Technologies Co.,Ltd		DRAWN BY SAM	DATE 2020.11.09
GENERAL TOLERANCES (UNLESS SPECIFIED)		TITLE USB C F TYPE母座夹板0.8短体10.40		CHECKED BY JAY	DATE 2020.11.09
QUALITY SYMBOL	0	DWG.NO.	CF010-01	APPROVED BY JACKY	DATE 2020.11.09
0	0	DIMENSION STYLE	MM ONLY	THIRD ANGLE PROJECTION	
0	0	DESIGN UNITS	METRIC	SCALE	
0	0	SCALE	1 OF 3	1:1	

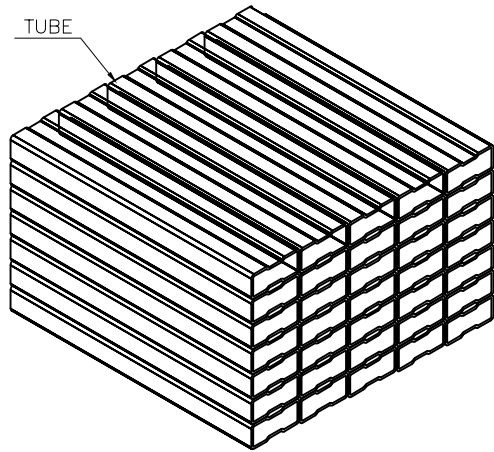
RoHS Compliant 

REV	ECN No.	DATE	REMARK
A	NEW	2016.04.14	新版发行
B	ECN1612001	2016.12.23	变更新料号
C	ECN1709005	2017.09.06	新增电镀15u规格
D	ECN1803005	2018.03.08	新增外壳镀金规格
E	ECN1805012	2018.05.29	镀金1u => 3u
F	ECN1908008	2019.08.05	变更新图号
G	ECN2011005	2020.11.09	升级第三代产品

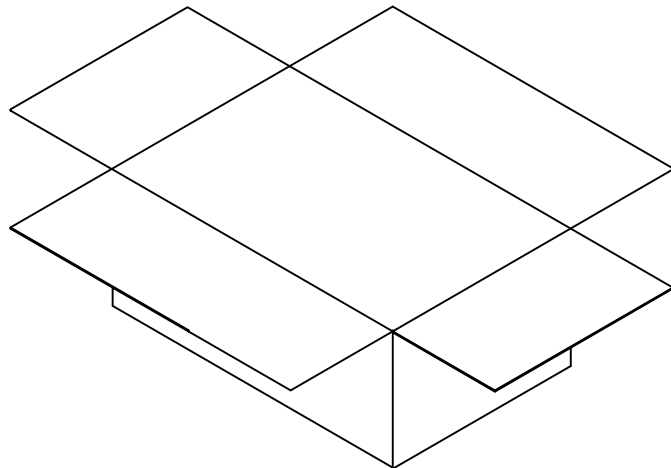
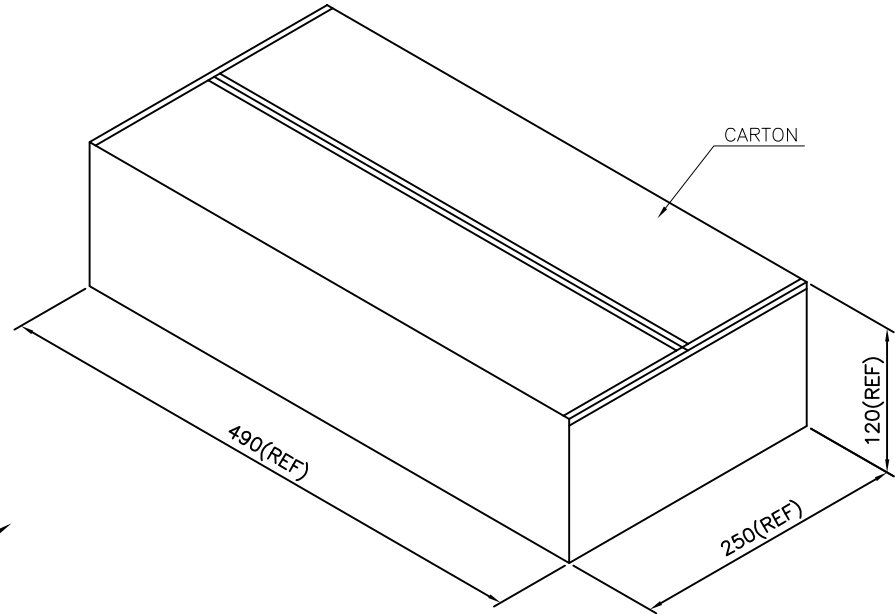
50PCS PRODUCTS PER TUBE



TUBE



CARTON



	TUBE	CARTON
CONNECTOR (PCS)	50	18000

PART NO.:
SEE THE PART NUMBER CODE

Goldconn Technologies Co.,Ltd

DRAWN BY: SAM
DATE: 2020.11.09

QUALITY SYMBOL	GENERAL TOLERANCES (UNLESS SPECIFIED)	
	x.xxxxx	± ---
	x.xxx	± 0.10
	x.xx	± 0.25
	x.x	± 0.30
ANGULAR	± ---°	

TITLE		DWG.NO.	SHEET NO.
USB C F TYPE母座夹板0.8短体10.40			
DIMENSION STYLE	DESIGN UNITS	SCALE	
MM ONLY	METRIC	1:1	

CHECKED BY: JAY
DATE: 2020.11.09

APPROVED BY: JACKY
DATE: 2020.11.09

 THIRD ANGLE PROJECTION

frame size: A4