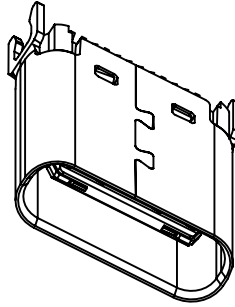
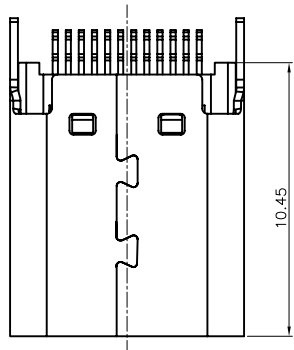


RoHS Compliant

REV	ECN No.	DATE	REMARK
A	NEW	2016.04.14	新版发行
B	ECN1612001	2016.12.23	变更新料号
C	ECN1805012	2018.05.29	镀金1u ==> 3u
D	ECN190415001	2019.04.16	修改图纸摆放方式
E	ECN1908008	2019.08.05	变更新图号



NOTE:

- MATERIAL SPECIFICATION:
 - HOUSING:HIGH TEMPERATURE RESISTANT PLASTIC(LCP),UL94 V-0.
 - CONTACTS:COPPER ALLOY(C1814)T=0.12mm
 - MID PLATE: STAINLESS STEEL(SUS301)T=0.20mm
 - EMI PLATE: STAINLESS STEEL(SUS301)T=0.10mm
 - SHELL: STAINLESS STEEL(SUS304)T=0.30mm
- PLATING SPECIFICATION:
 - CONTACTS:
 - Ni 50u" MIN. UNDER PLATED OVER ALL.
 - Au PLATED ON THE FUNCTIONAL AREA OF CONTACT. (GOLD PLATING THICKNESS FOLLOW THE P/N)
 - PLATING SPECIFICATIONS OF THE SOLDER AREA FOLLOW THE P/N
 - FRONT SHELL&OUTER SHELL:
 - Ni 30u" MIN. UNDER PLATED OVER ALL.
 - MID PLATE:
 - Ni 30u" MIN. UNDER PLATED OVER ALL.
 - Sn 80u"MIN. PLATED OVER ALL
 - EMI PLATE:
 - CLEAR ONLY
- MECHANICAL PERFORMANCE,
 - INSERTION FORCE: 0.5~2.0kgf.
 - REMOVAL FORCE: 0.8kgf~2.0kgf.
 - DURABILITY: 10000 CYCLES.
- ELECTRICAL PERFORMANCE,
 - CURRENT RATING:5.0A
VOLTAGE RATING:5.0V
 - LLCR:
 - VBUS & GND PINS AND OTHER PINS: 40mΩ/PIN MAX.
 - SHIELD: 50mΩ/MAX.
 - LLCR MAX. CHANGE OF ALL PINS: 10mΩ.
 - INSULATION RESISTANCE: 100MΩ MIN
 - DIELECTRIC WITHSTAND VOLTAGE,AC 100V FOR 1 MINUTE.
- ENVIRONMENTAL PERFORMANCE:
 - OPERATING TEMPERATURE: -25°C~+85°C.
- IR REFLOW:
 - THE PEAK TEMPERATURE ON THE BOARD SHALL BE MAINTAINED FOR 10 SECONDS AT 260°C.

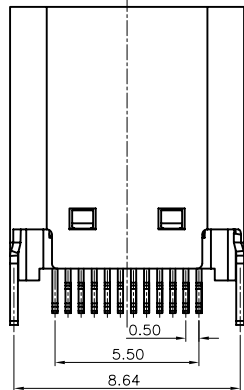
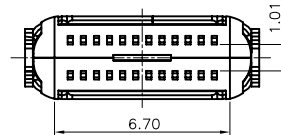
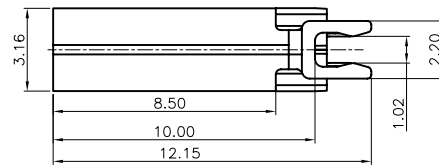
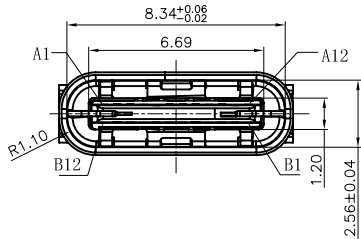
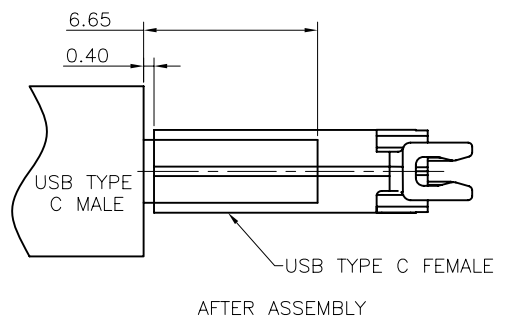


TABLE 1

2	Z-CF011SLB02T-A-01	BLACK	Au:3u"	Sn 80u" MIN	NI 30u" MIN
1	Z-CF011SLB12T-A-01	BLACK	Au:3u"	Au:1u"	NI 30u" MIN
ITEM	P/N	HOUSING COLOR	FUNCTIONAL AREA	SOLDER AREA	SHELL PLATING

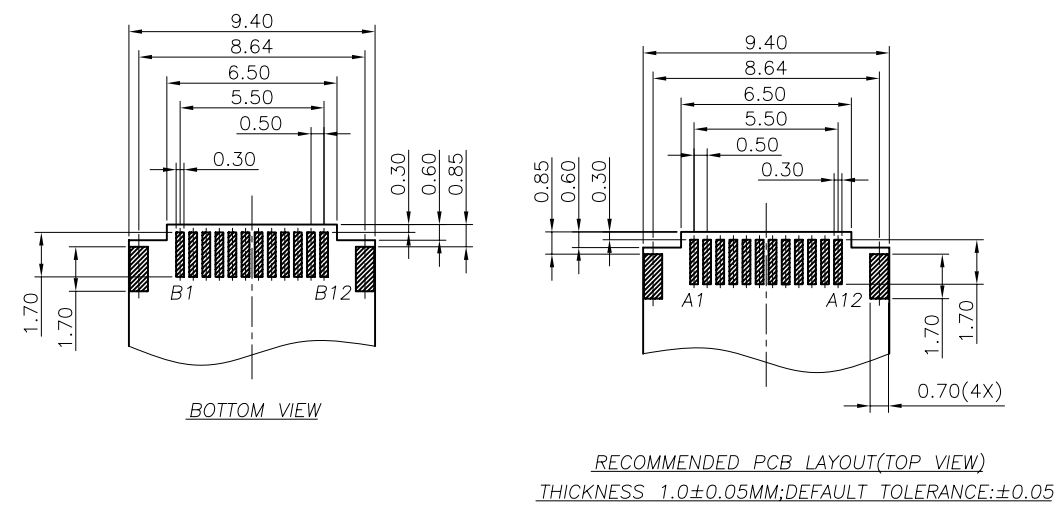
PART NO.: SEE THE PART NUMBER CODE		Goldconn Technologies Co., Ltd		DRAWN BY SAM	DATE 2019.08.05
GENERAL TOLERANCES (UNLESS SPECIFIED)		TITLE USB C F TYPE母座夹板1.0长体10.45			
x.xxxx	± ---	DWG.NO. CF011-01		SHEET NO. 1 OF 3	
x.xxx	± 0.10	DIMENSION STYLE MM ONLY		SCALE 1:1	
x.xx	± 0.25	DESIGN UNITS METRIC		APPROVED BY JACKY	
x.x	± 0.30	DATE 2019.08.05			
ANGULAR	± ---°	THIRD ANGLE PROJECTION			

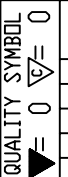
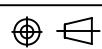
REV	ECN No.	DATE	REMARK
A	NEW	2016.04.14	新版发行
B	ECN1612001	2016.12.23	变更新料号
C	ECN1805012	2018.05.29	镀金1u ==> 3u
D	ECN190415001	2019.04.16	修改图纸摆放方式
E	ECN1908008	2019.08.05	变更新图号



USB TYPE-C PIN ASSIGNMENTS

PIN NUMBER	SIGNAL NAME	PIN NUMBER	SIGNAL NAME
A1	GND	B12	GND
A2	SSTXp1	B11	SSRXp1
A3	SSTXn1	B10	SSRXn1
A4	Vbus	B9	Vbus
A5	CC1	B8	SBU2
A6	Dp1	B7	Dn2
A7	Dn1	B6	Dp2
A8	SBU1	B5	CC2
A9	Vbus	B4	Vbus
A10	SSRXn2	B3	SSTXn2
A11	SSRXp2	B2	SSTXp2
A12	GND	B1	GND

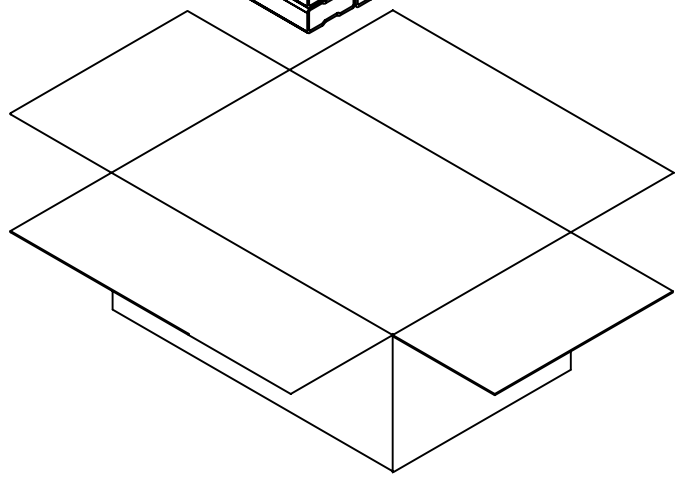
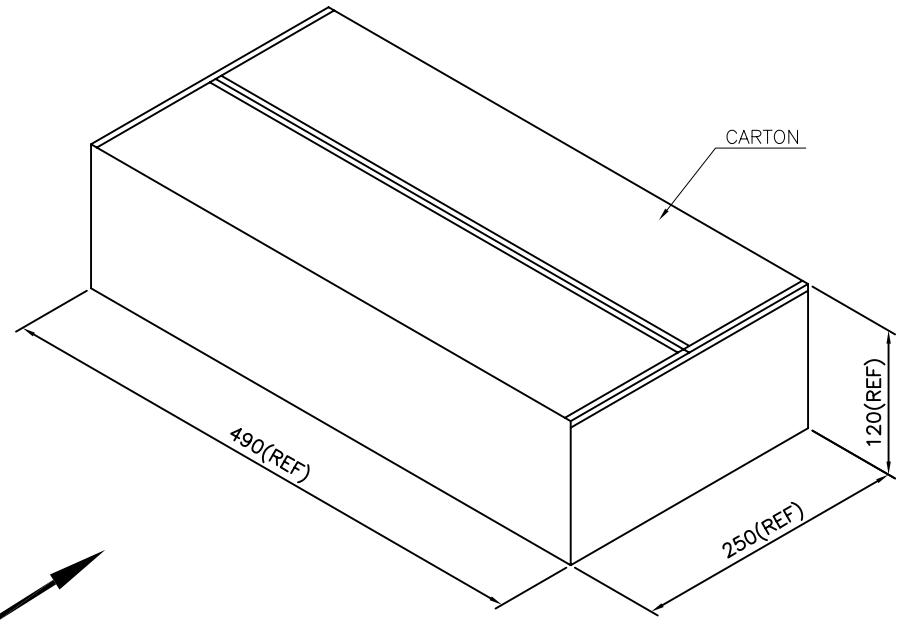
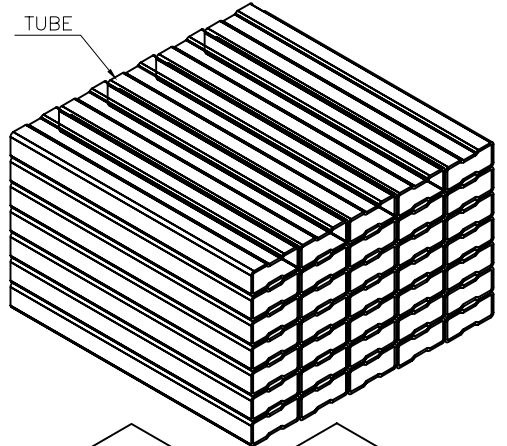
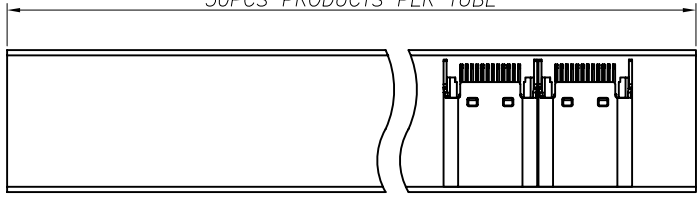
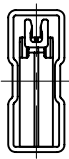


PART NO.: SEE THE PART NUMBER CODE		Goldconn Technologies Co., Ltd		DRAWN BY SAM	DATE 2019.08.05
QUALITY SYMBOL 	GENERAL TOLERANCES (UNLESS SPECIFIED)		TITLE USB C F TYPE母座夹板1.0长体10.45		
	x.xxxx	±	---	DWG.NO. CF011-01	SHEET NO. 2 OF 3
	x.xxx	±	0.10		
	x.xx	±	0.25	DIMENSION STYLE MM ONLY	DESIGN UNITS METRIC
	x.x	±	0.30		
ANGULAR	±	---	SCALE 1:1	APPROVED BY JACKY DATE 2019.08.05  THIRD ANGLE PROJECTION	

RoHS Compliant 

REV	ECN No.	DATE	REMARK
A	NEW	2016.04.14	新版发行
B	ECN1612001	2016.12.23	变更新料号
C	ECN1805012	2018.05.29	镀金1u ==> 3u
D	ECN190415001	2019.04.16	修改图纸摆放方式
E	ECN1908008	2019.08.05	变更新图号

50PCS PRODUCTS PER TUBE



	TUBE	CARTON
CONNECTOR (PCS)	50	18000

PART NO.: SEE THE PART NUMBER CODE		Goldconn Technologies Co., Ltd		DRAWN BY SAM	DATE 2019.08.05
GENERAL TOLERANCES (UNLESS SPECIFIED)		TITLE USB C F TYPE母座夹板1.0长体10.45		CHECKED BY JAY	DATE 2019.08.05
QUALITY SYMBOL	0	DWG.NO. CF011-01	SHEET NO. 3 OF 3	APPROVED BY JACKY	DATE 2019.08.05
	x.xxxx ± ---	DIMENSION STYLE MM ONLY	DESIGN UNITS METRIC	THIRD ANGLE PROJECTION	
	x.xxx ± 0.10	SCALE 1:1		frame size: A4	
	x.xx ± 0.25				
	x.x ± 0.30				
	ANGULAR ± ---°				